



Modular Belts
525 HD FT & 530 FT
including the new molded sprockets

Movex[®]

DATA SHEET

525 HD FT Modular belt

Series 525 HD, H=8,7 M=85

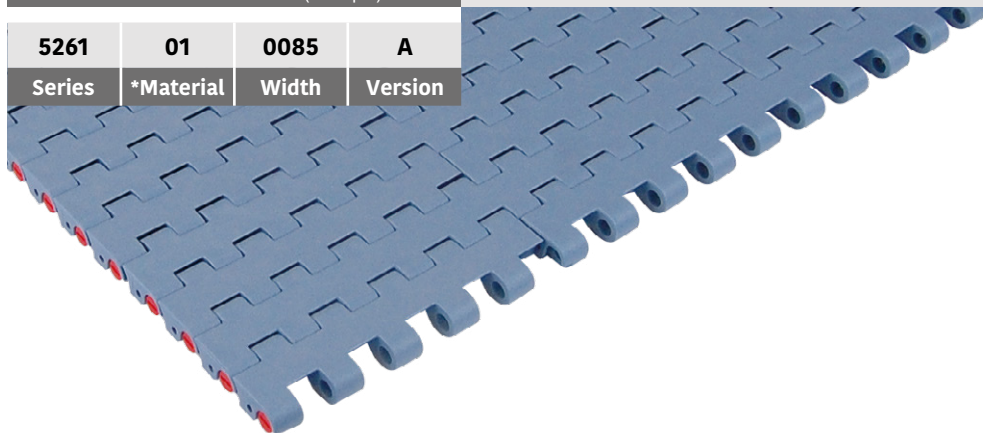
SAMPLE BOX

Art.-Nr. 5261018888A

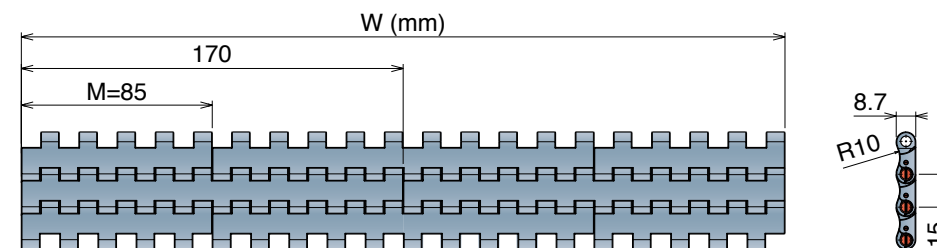
CODE STRUCTURE GUIDE (Example)

Pitch: 15 mm | Backflex radius min.: 25 mm

5261	01	0085	A
Series	*Material	Width	Version



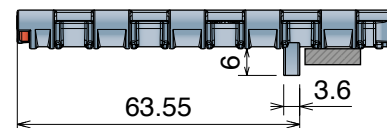
Version A - Standard



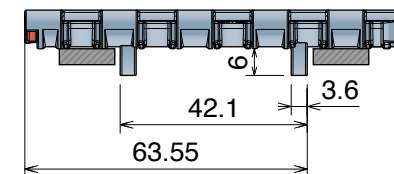
To choose your version see the side drawings and add the single letter

Series	Material	Width	Version	Series	Material	Width	Version
5261	*	0085	Add A,B or C	5261	*	0850	Add A,B or C
5261	*	0170	Add A,B or C	5261	*	0935	Add A,B or C
5261	*	0255	Add A,B or C	5261	*	1020	Add A,B or C
5261	*	0340	Add A,B or C	5261	*	1105	Add A,B or C
5261	*	0425	Add A,B or C	5261	*	1190	Add A,B or C
5261	*	0510	Add A,B or C	5261	*	1275	Add A,B or C
5261	*	0595	Add A,B or C	5261	*	1360	Add A,B or C
5261	*	0680	Add A,B or C	5261	*	1445	Add A,B or C
5261	*	0765	Add A,B or C	5261	*	1530	Add A,B or C

Version B - 1 Positioner



Version C - 2 Positioner



*Material

Easy Delivery

LFA - Code 01
Low friction Acetal

Max w. load: 25500 N/m
Weight: 9,0 kg/m²
Temp. range dry: -40+80 °C
Temp. range wet: -40+65 °C
Pin material: PBT white

PP - Code 02
Polypropylene

Max w. load: 15500 N/m
Weight: 8,7 kg/m²
Temp. range dry: 4+104 °C
Temp. range wet: 4+104 °C
Pin material: PP blue

MX - Code 03
Performance PBT

Max w. load: 20500 N/m
Weight: 8,7 kg/m²
Temp. range dry: -40+120 °C
Temp. range wet: -40+60 °C
Pin material: POM grey

LFB - Code 23
Low friction Acetal

Max w. load: 25500 N/m
Weight: 9,0 kg/m²
Temp. range dry: -40+80 °C
Temp. range wet: -40+65 °C
Pin material: PBT white

PFX - Code 30
Extra performance PBT

Max w. load: 20500 N/m
Weight: 8,7 kg/m²
Temp. range dry: -40+120 °C
Temp. range wet: -40+60 °C
Pin material: POM grey



REINFORCED POSITIONER

530 FT Modular belt

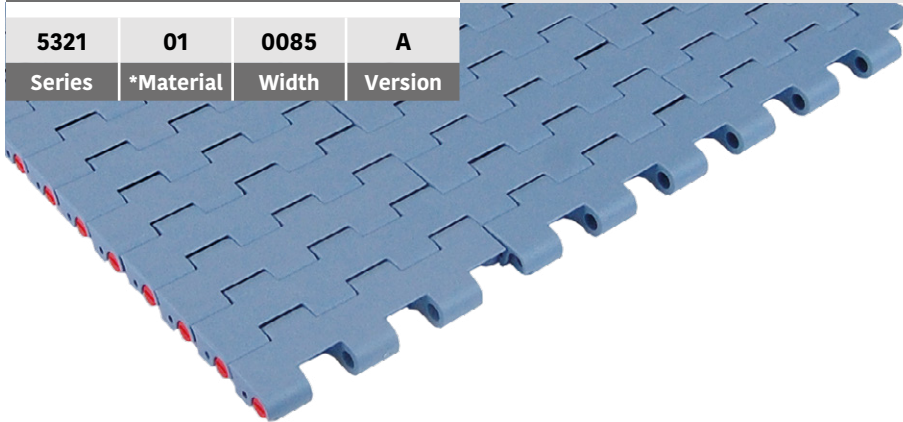
Series 530 FT, H=8,7 M=3"

SAMPLE BOX

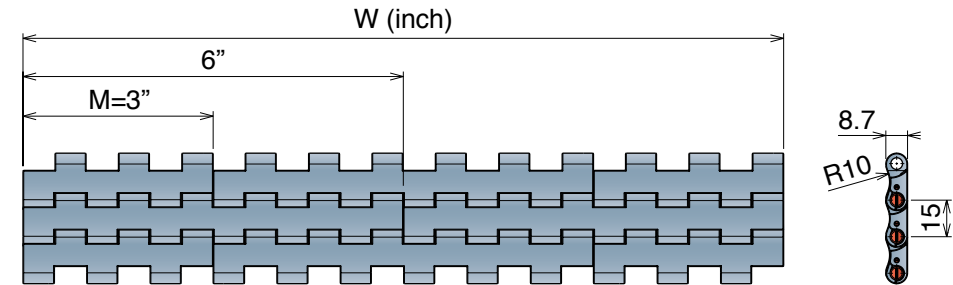
Art.-Nr. 5321018888A

Pitch: 15 mm | Backflex radius min.: 25 mm

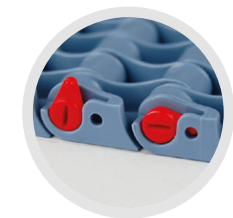
CODE STRUCTURE GUIDE (Example)



Version A - Standard



Series	Material	Width	Version	Series	Material	Width	Version
5321	*	0003	A	5321	*	0030	A
5321	*	0006	A	5321	*	0033	A
5321	*	0009	A	5321	*	0036	A
5321	*	0012	A	5321	*	0039	A
5321	*	0015	A	5321	*	0042	A
5321	*	0018	A	5321	*	0045	A
5321	*	0021	A	5321	*	0048	A
5321	*	0024	A	5321	*	0051	A
5321	*	0027	A	5321	*	0054	A



Easy Delivery

LFA - Code 01
Low friction Acetal

Max w. load: 26000 N/m
Weight: 9,2 kg/m²
Temp. range dry: -40+80 °C
Temp. range wet: -40+65 °C
Pin material: PBT white

MX - Code 03
Performance PBT

Max w. load: 21000 N/m
Weight: 9,0 kg/m²
Temp. range dry: -40+120 °C
Temp. range wet: -40+60 °C
Pin material: POM grey

DKM - Code 16
Aramide Reinforced Acetal

Max w. load: 26000 N/m
Weight: 9,2 kg/m²
Temp. range dry: -40+80 °C
Temp. range wet: -40+65 °C
Pin material: PBT white

MWX - Code 17
Polyamide Composite

Max w. load: 26000 N/m
Weight: 9,5 kg/m²
Temp. range dry: -40+104 °C
Temp. range wet: NR
Pin material: PBT white

MPX - Code 25
Lubricated Acetal

Max w. load: 26000 N/m
Weight: 9,2 kg/m²
Temp. range dry: -40+80 °C
Temp. range wet: -40+65 °C
Pin material: PBT white

*Material

Movex

525 HD FT & 530 FT Machined Sprockets

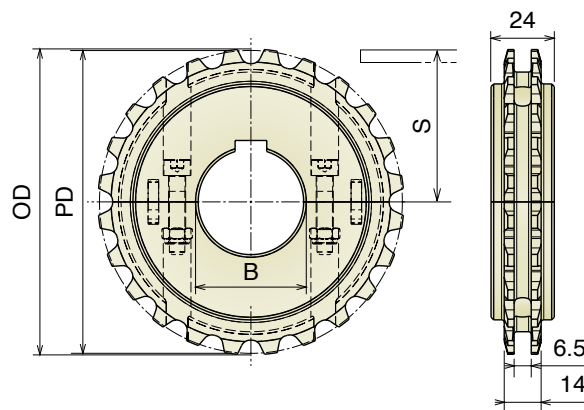


Split drive sprocket and
Split idler sprocket.

Machined

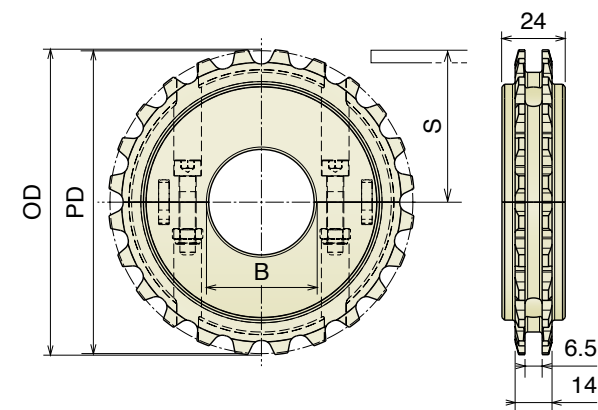
Material: Polyamide
Screws: Stainless steel Nuts: Zinc plated steel

Dimensions expressed in millimeter



Art-Nr.	Z-	Bore	PD	OD	S
158101E	12**	25	58,1	58,2	24,6
158106E		25x25 □			
158201E	16**	25	77,1	77,7	34,2
158202E		30			
158206E		25x25 □			
158207E		30x30 □			
158301	24	25	114,9	115,5	53,5
158302		30			
158303		35			
158304		40			
158306		25x25 □			
158307		30x30 □			
158308		40x40 □			
158401	32	25	153,4	154,8	72,5
158402		30			
158403		35			
158404		40			
158406		25x25 □			
158407		30x30 □			
158408		40x40 □			

**Drive sprockets Z-12 and Z-16 are supplied non-split.



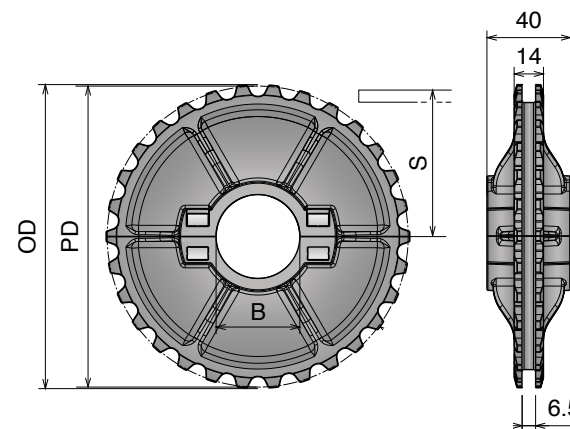
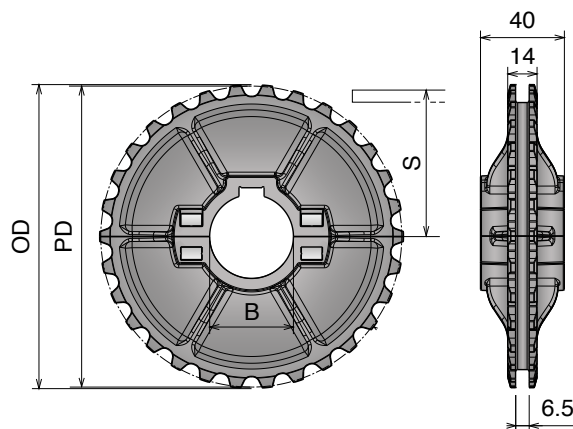
Art-Nr.	Z-	Bore	PD	OD	S
158150E	12**	18*	58,1	58,2	24,6
158151E		25			
158250E	16**	18*	77,1	77,7	34,2
158251E		25			
158252E		30			
158350	24	18*	114,9	115,5	53,5
158351		25			
158352		30			
158353		35			
158354		40			
158450	32	18*	153,4	154,8	72,5
158451		25			
158452		30			
158453		35			
158454		40			

**Drive sprockets Z-12 and Z-16 are supplied non-split.

*Plain Bore

525 HD FT & 530 FT Molded Sprockets

NEW



Split drive sprocket and
Split idler sprocket.

Molded

Material: Reinforced polyamide
Screws: Stainless steel Nuts: Zinc plated steel

Dimensions expressed in millimeter

Art-Nr.	Z-	Bore	PD	OD	S
158601	24	25	114,9	115,5	53,5
158602		30			
158603		35			
158604		40			
158606		25x25			
158607		30x30			
158608		40x40			
158701	30	25	143,5	145,1	67,5
158702		30			
158703		35			
158704		40			
158706		25x25			
158707		30x30			
158708		40x40			
158801	32	25	153,4	154,8	72,5
158802		30			
158803		35			
158804		40			
158806		25x25			
158807		30x30			
158808		40x40			

Art-Nr.	Z-	Bore	PD	OD	S
158651	24	25	114,9	115,5	53,5
158652		30			
158653		35			
158654		40			
158751	30	25	143,5	145,1	67,5
158752		30			
158753		35			
158754		40			
158851	32	25	153,4	154,8	72,5
158852		30			
158853		35			
158854		40			

Movex[®]

www.movexii.com

DATA SHEET