



Sideflexing chains
1873 GB2 Twister

Movex[®]

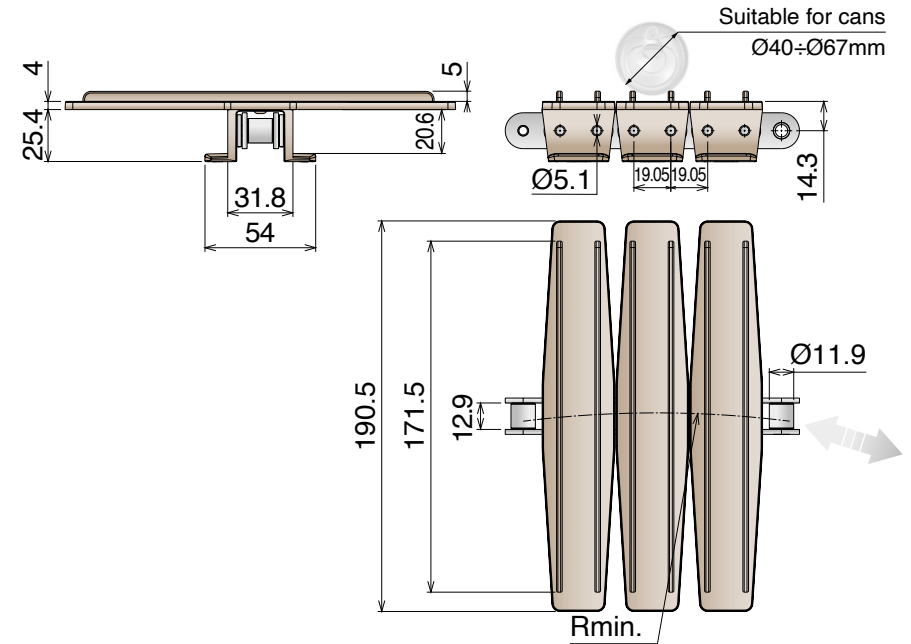
PRODUCT PRESENTATION

1873 GB2 Twister

Sideflexing plastic chain

NEW

Pins: Stainless Steel | Backflex radius min.: 210 mm | The chain can twist 90° in 1500 mm



Article-Nr.	Chain	Ref.	Plate Width mm	R mm	Weight kg/m	Max working load N	Backflex radius min. mm	Material
11370107	C45	LF 1873 TAB	190,5	457	2,60	4500	210	LF
11380107	Stainless Steel	K750 GB2	190,5	457	2,60	3500		
11370307	C45	MX 1873 TAB	190,5	457	2,60	4500	210	MX
11380307	Stainless Steel	K750 GB2	190,5	457	2,60	3500		

Movex[®]

www.movexii.com

PRODUCT PRESENTATION