

240XE

EXTRA EFFICIENCY

SIDEFLEXING BELT/CHAIN SERIES

Movex[®]

www.movexii.com

240 XE

EXTRA EFFICIENCY

Magnetic & TAB sideflexing belt/chain series



Peak performance, minimal effort

Engineered to deliver optimal performance with minimal energy expenditure.



Weight reduction

Lower weight makes 240 XE series quieter, lowers the friction, reduces dust generation.



Energy efficiency

240 XE series reduces energy consumption by 24% compared to the traditional version.



Cost saving

The weight reduction translates to a saving of about 10/15% in transportation costs.



Synergy and reliability

The used market-standard pin and hinge connections backed by 40 years of experience, ensuring reliability and efficiency.



Ease of use and safety

240 XE series makes both installation and maintenance, a simple and secure matter.

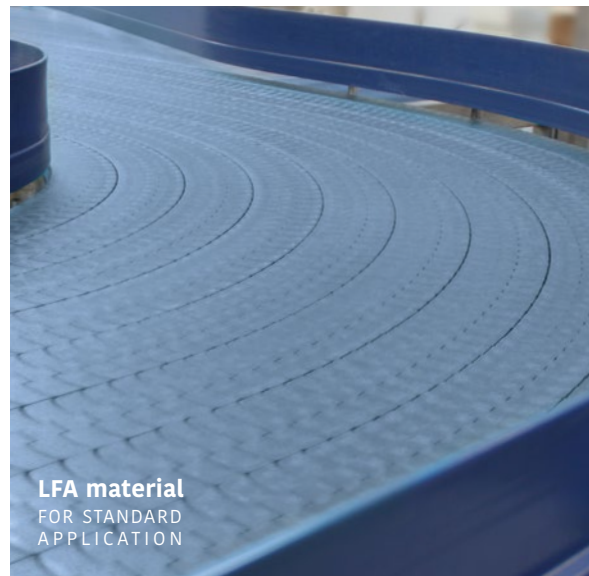
Smarter, lighter and even more effective.

Our commitment to excellence drives us to continuously improve the performance and longevity of our chains. We are excited to announce our latest innovation: the **240 XE - Extra Efficiency series**.

We've meticulously enhanced the weight-to-PV ratio, shedding weight without compromising on strength. This innovation translates to unmatched pressure and speed resistance, even when navigating tight turns of up to 180 degrees. We've also expanded the contact surface and lateral sliding area by a substantial 12%, ensuring more precise and effective control even for delicate or unstable products like all types of petaloid.

From a logistical perspective, the reduction in weight – a remarkable 1200 kg less over 2000 m in medium to large lines – streamlines handling during assembly and maintenance. This translates to a host of benefits, including improved operator comfort, reduced noise, friction, and dust levels. The result? A substantial 10-15% reduction in transportation costs and significantly longer component life.

The **240 XE - Extra Efficiency series** represents a significant step forward in belt/chain performance, offering increased efficiency, durability, and logistical savings.

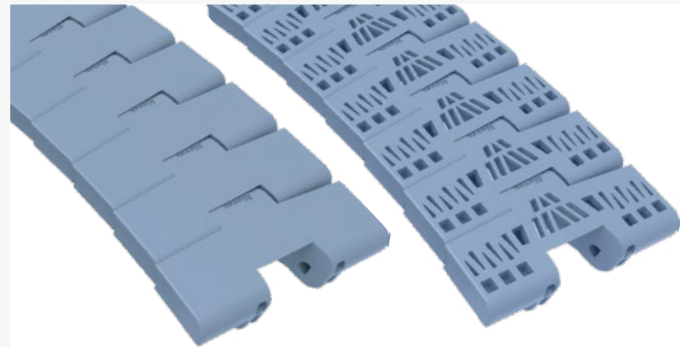


LFA material
FOR STANDARD
APPLICATION



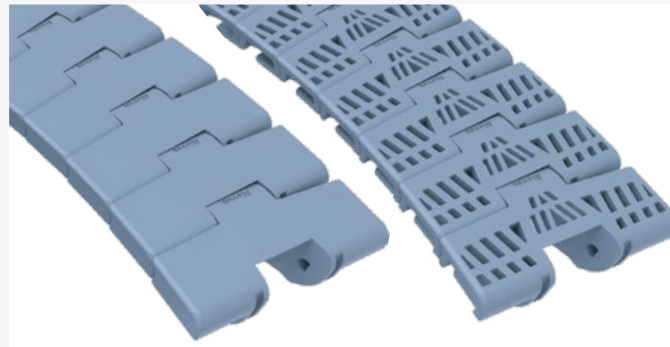
MX material
RUNNING DRY
APPLICATION

Dimensions and Features



240XE

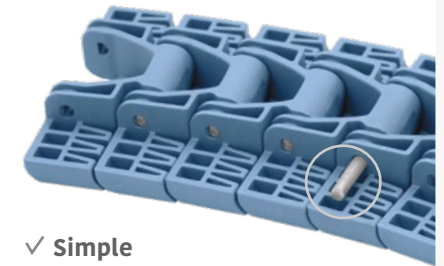
MAGNETIC SYSTEM EXTRA EFFICIENCY SERIES



240XE

TAB SYSTEM EXTRA EFFICIENCY SERIES

D-Shape - Pin locking system



✓ Simple

Easy to insert and release, even when it's already installed.

✓ Reliable

It's engineered to operate smoothly, without jamming.

✓ Safety system

Once the pin is inserted, it's locked in and can be removed only when needed.

General products features

Belt pitch	25,4 mm (1.00")	Versions	K330 (3.30")	Materials available	
Thickness	8,7 mm (0.33")	Max work load	up to 1.800 N/m*	LFA	MX
Backflex radius	130 mm (5.12")	Sidelflex radius	500 mm (19.68")	PFX	LFB
				Pins material	Ferritic SS

Main Improvements compared to the 260 M and 260 TAB belts/chains.

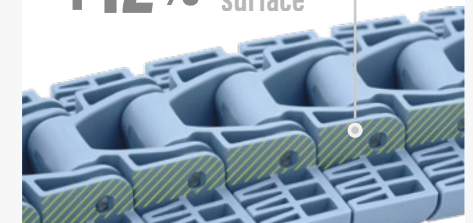
-38% Chain weight

+24% Energy saving

-15% Carbon footprint

+15% PV limit

+12% Sliding surface



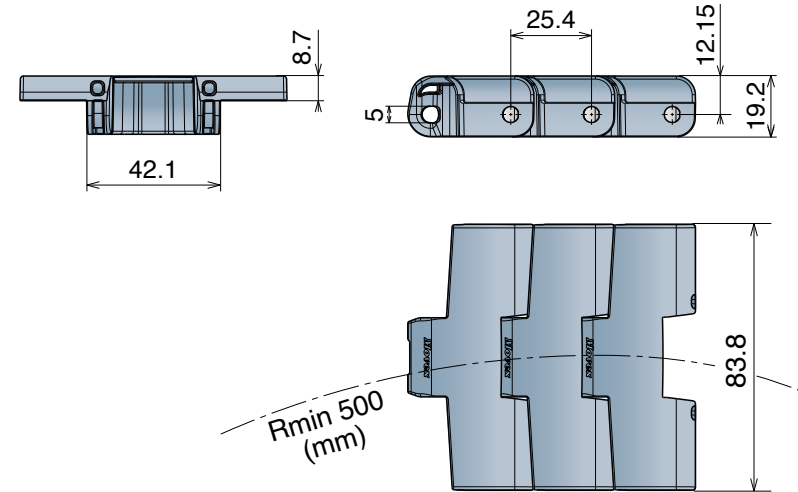
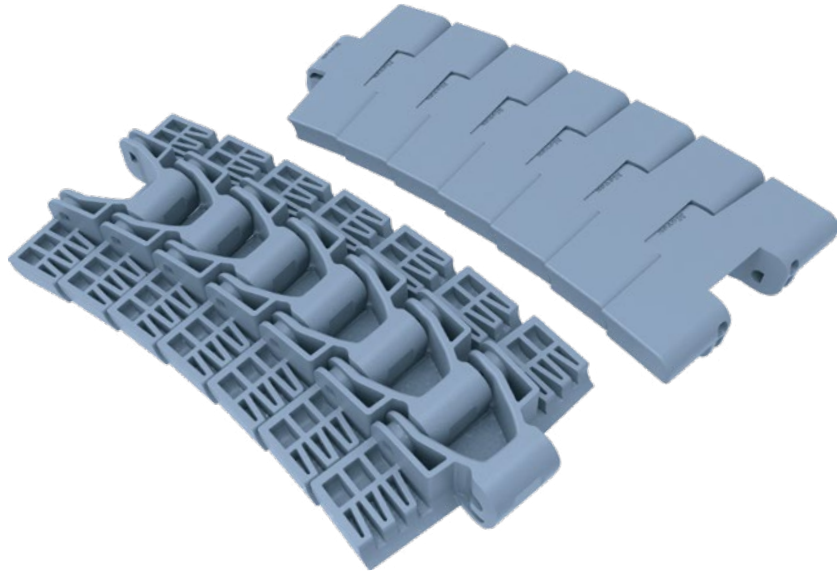
* The values depend on the selected material, see next pages for more information.

240 XE FT

Magnetic Sideflexing belt/chain

NEW MAGNETIC SYSTEM

Pins: Ferritic SS | Backflex radius min.: 130 mm



 Interchangeable with 260M series

Article-Nr.	Ref.	Plate Width mm	Weight kg/m	Max working load N	Sideflex radius min. mm	Material
12040103	LFA 240 XE M FT K330	83,8	1,07	1800	500	LFA
12040303	MX 240 XE M FT K330	83,8	1,02	1450	500	MX
12043003	PFX 240 XE M FT K330	83,8	1,02	1450	500	PFX

BluLub® & PFX
Powerful dry running combination

The use of both our exclusive materials unleashes extra-performance and an astounding speed!

 UP TO **150 m/min!**

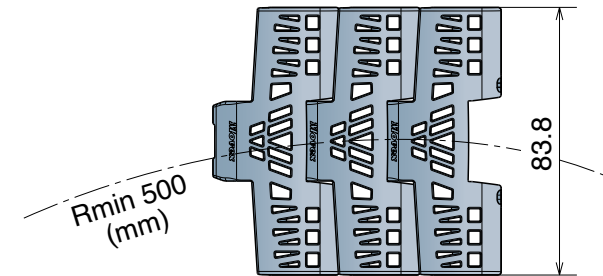
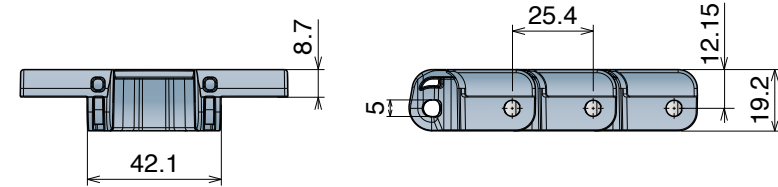
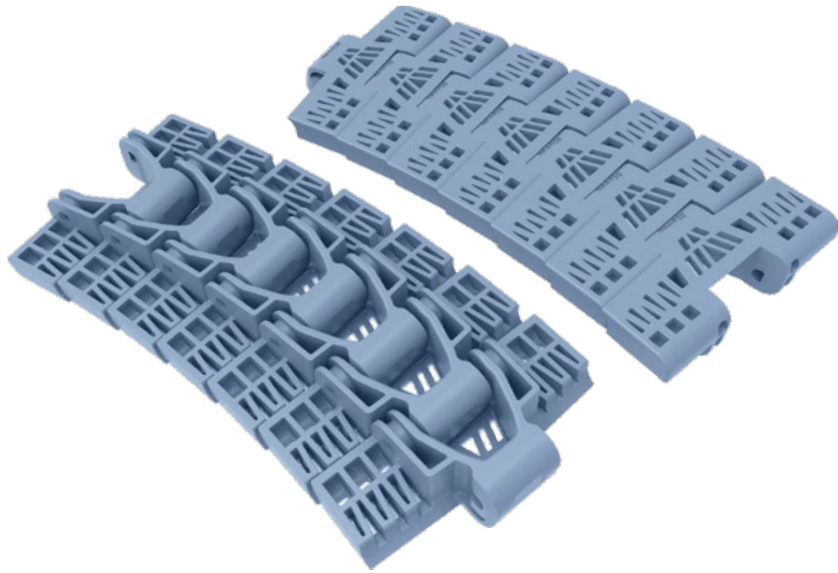
Interchangeable with 260M series and competitor alternatives.

240 XE FG

Open Surface 25%
Magnetic Sideflexing belt/chain

NEW MAGNETIC SYSTEM

Pins: Ferritic SS | Backflex radius min.: 130 mm



 Interchangeable with 260M series

Article-Nr.	Ref.	Plate Width mm	Weight kg/m	Max working load N	Sideflex radius min. mm	Material
12050103	LFA 240 XE M FG K330	83,8	1,02	1800	500	LFA
12050303	MX 240 XE M FG K330	83,8	0,98	1450	500	MX
12053003	PFX 240 XE M FG K330	83,8	0,98	1450	500	PFX

BluLub® & PFX
Powerful dry running combination

The use of both our exclusive materials unleashes extra-performance and an astounding speed!

 UP TO 150 m/min!

Interchangeable with 260M series and competitor alternatives.

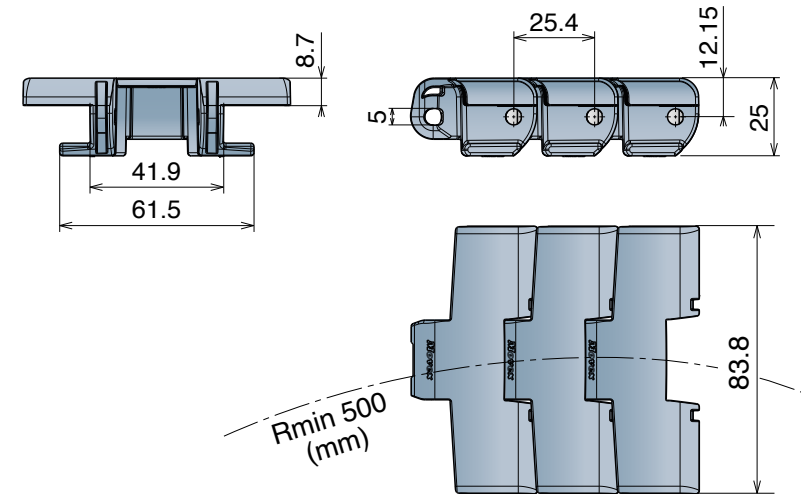
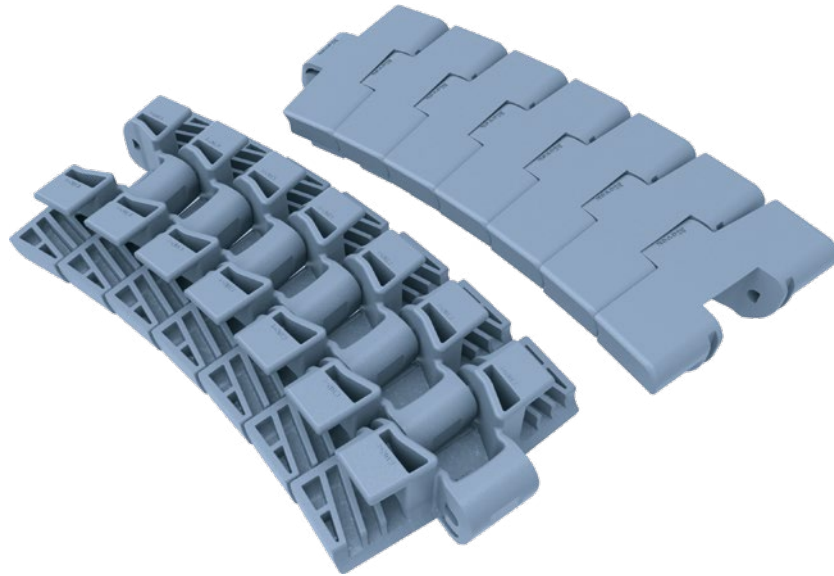
Movex®

240 XE TAB FT

TAB Sideflexing belt/chain

NEW TAB SYSTEM

Pins: Ferritic SS | Backflex radius min.: 130 mm



 Interchangeable with 260TAB series

Article-Nr.	Ref.	Plate Width mm	Weight kg/m	Max working load N	Sideflex radius min. mm	Material
12060103	LFA 240 XE TAB FT K330	83,8	1,18	1800	500	LFA
12060303	MX 240 XE TAB FT K330	83,8	1,11	1450	500	MX
12063003	PFX 240 XE TAB FT K330	83,8	1,11	1450	500	PFX
12062303	LFB 240 XE TAB FT K330	83,8	1,18	1800	500	LFB

BluLub® & PFX
Powerful dry running combination

The use of both our exclusive materials unleashes extra-performance and an astounding speed!

 UP TO **150 m/min!**

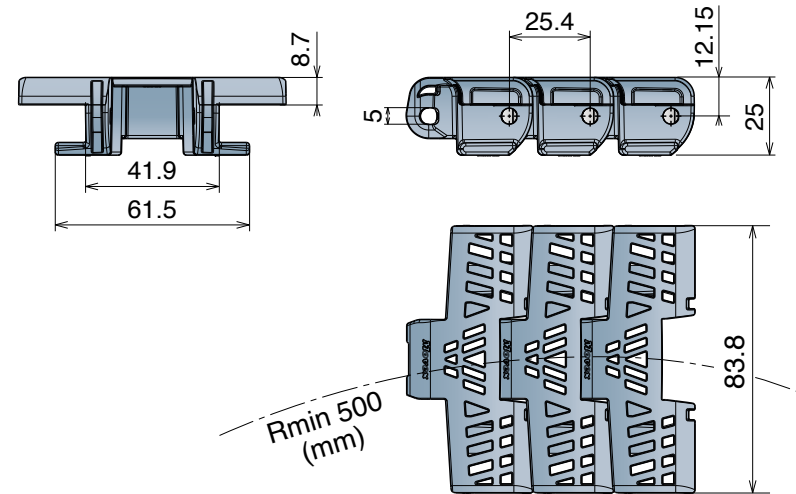
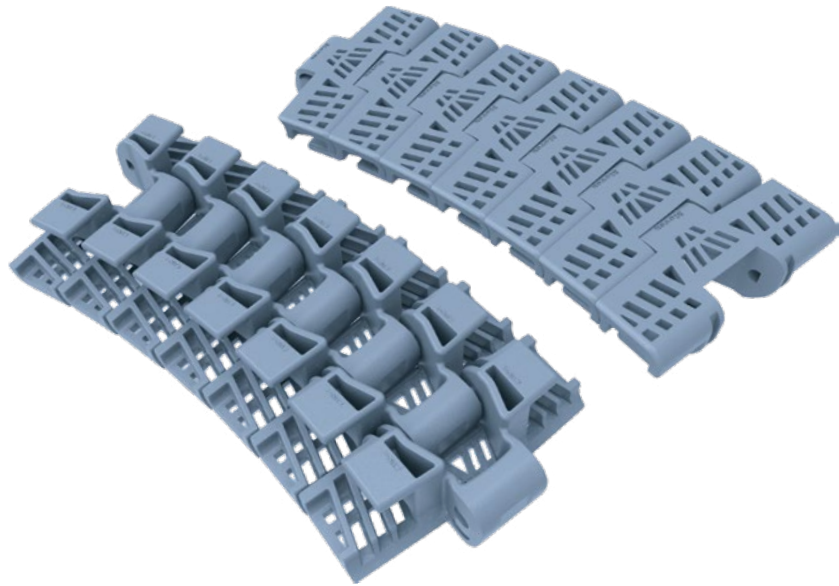
Interchangeable with 260M series and competitor alternatives.

240 XE TAB FG

Open Surface 25%
TAB Sideflexing belt/chain

NEW TAB SYSTEM

Pins: Ferritic SS | Backflex radius min.: 130 mm



 Interchangeable
with 260TAB series

Article-Nr.	Ref.	Plate Width mm	Weight kg/m	Max working load N	Sideflex radius min. mm	Material
12070103	LFA 240 XE TAB FG K330	83,8	1,13	1800	500	LFA
12070303	MX 240 XE TAB FG K330	83,8	1,06	1450	500	MX
12073003	PFX 240 XE TAB FG K330	83,8	1,06	1450	500	PFX
12072303	LFB 240 XE TAB FG K330	83,8	1,13	1800	500	LFB

BluLub® & PFX
Powerful dry running combination

The use of both our exclusive materials unleashes extra-performance and an astounding speed!

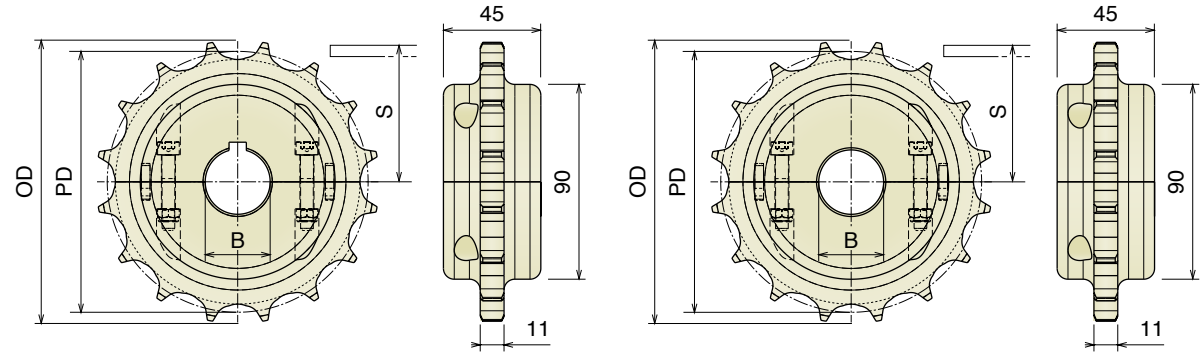
 UP TO 150 m/min!

Interchangeable with 260M series and competitor alternatives.

Movex®

Sprockets available

- Optimized hygienic
- Quick replacement



240-260-261 Series

Split drive sprocket and Split idler sprocket.

Machined

Dimensions expressed in millimeter

Art-Nr.	Z-	Bore	PD	OD	S
154101	16	25	128,9	130,9	67,8
154102		30			
154103		35			
154104		40			
154201	18	25	144,8	146,8	75,7
154202		30			
154203		35			
154204		40			
154301	19	25	154,3	156,3	80,5
154302		30			
154303		35			
154304		40			

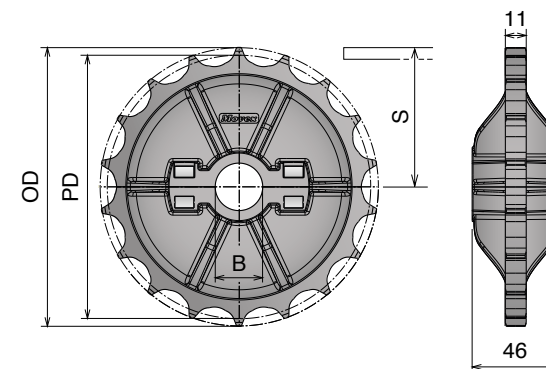
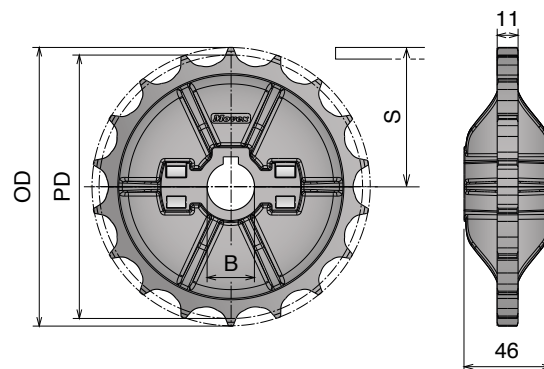
Art-Nr.	Z-	Bore	PD	OD	S
154150	16	18*	128,9	130,9	67,8
154151		25			
154152		30			
154153		35			
154154		40			
154250	18	18*	144,8	146,8	75,7
154251		25			
154252		30			
154253		35			
154254		40			
154350	19	18*	154,3	156,3	80,5
154351		25			
154352		30			
154353		35			
154354		40			

*Plain Bore

Material: Polyamide
Screws: Stainless steel Nuts: zinc plated steel

Sprockets available

- Easy clean and installation
- Heavy duty design



240-260-261 Series

Split drive sprocket and Split idler sprocket.

Molded

Dimensions expressed in millimeter

Art-Nr.	Z-	Bore	PD	OD	S
154501	16	25	128,9	130,9	67,8
154502		30			
154503		35			
154504		40			
154506		25* 25	□		
154507		30* 30	□		
154508		40* 40	□		
154601	18	25	144,8	146,8	75,7
154602		30			
154603		35			
154604		40			
154606		25* 25	□		
154607		30* 30	□		
154608		40* 40	□		
154701	19	25	154,3	156,3	80,5
154702		30			
154703		35			
154704		40			
154706		25* 25	□		
154707		30* 30	□		
152708		40* 40	□		

Art-Nr.	Z-	Bore	PD	OD	S
154551	16	25	128,9	130,9	67,8
154552		30			
154553		35			
154554		40			
154651	18	25	144,8	146,8	75,7
154652		30			
154653		35			
154654		40			
154751	19	25	154,3	156,3	80,5
154752		30			
154753		35			
154754		40			

*Plain Bore

⚙️ **Material:** Reinforced polyamide
Screws: Stainless steel Nuts: zinc plated steel

240 XE

EXTRA EFFICIENCY

Smarter, lighter and even more effective.

Movex World

Three simple ways to keep in touch.

NEW

Website

Explore our new website, consult our catalogues and stay up to date with our latest news.

www.movexii.com

Product Catalog

Download the interactive PDF* featuring all our products, from our website.

Available on all devices.

Social media

News, facts and info about us and our products.

Follow us   



#MovexWorld

*Contact your sales representative for your hard copy.

Movex[®]

Movex worldwide

Movex GmbH

P +49-6204-9375-0

Movex Brasil Ltda

P +55-15-3141-2550

Movex France

P +39-335-8085980

Movex AG India

P +91-120-4159660-62

Movex UK Ltd.

P +44-77-20678442

Movex Nederland

P +31-630-994850

Movex USA Inc.

P +1-919-274-5477

Movex SA de CV

P +52-1-331845818

Movex CIS Countries

P +39-348-7769760

Movex S.p.A.

Headquarters

Viale Industria, 22 - 24060
Castelli Calepio (BG) Italy

Logistics center

Via Repubblica, 21/E - 24060
Castelli Calepio (BG) Italy

P +39 035 8359711 | F +39 035 4420873 | info@movexii.com | www.movexii.com

Follow us   

