

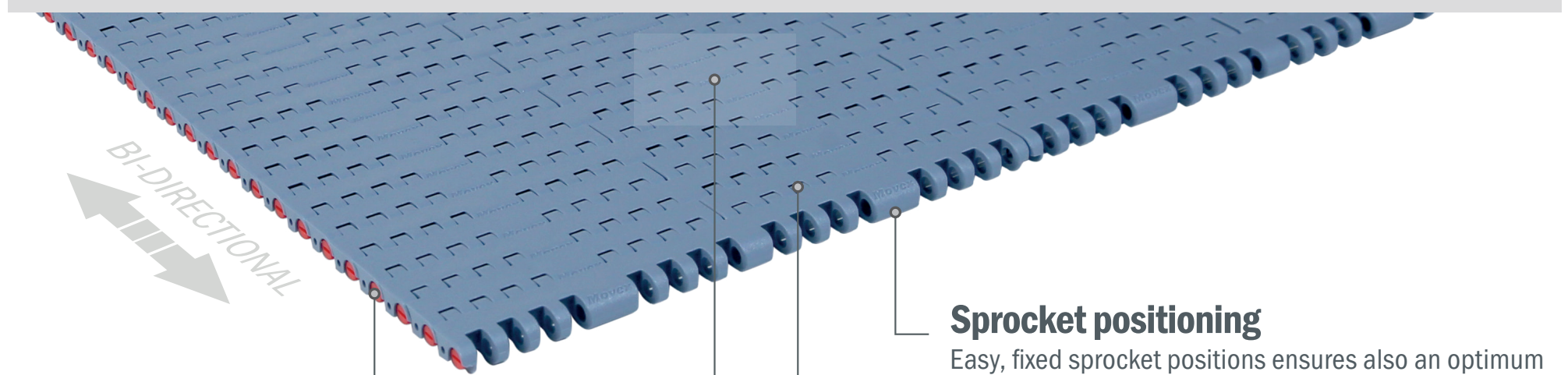
Modular Belt  
***520 HD FT***

***Movex***<sup>®</sup>

PRODUCT PRESENTATION

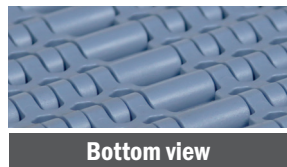
# 520 HD FT

Modular Belt Series 520 HD FT Total H=8,7 M= 85



## Easy clip

Easy and quick system with reinforced clip retention.



## Higher strength

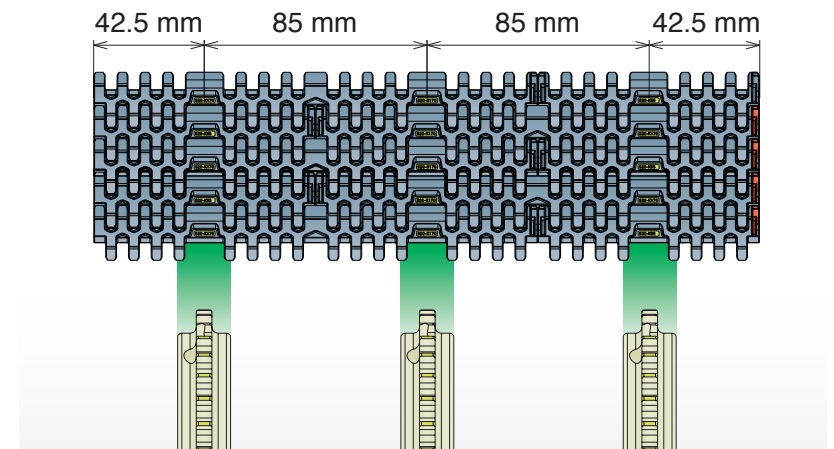
Thanks to the robust and reliable design, the belt has improved strength and stability.

## Optimized support area

The new design provides an even better support compared to existing systems for optimized product stability.

## Sprocket positioning

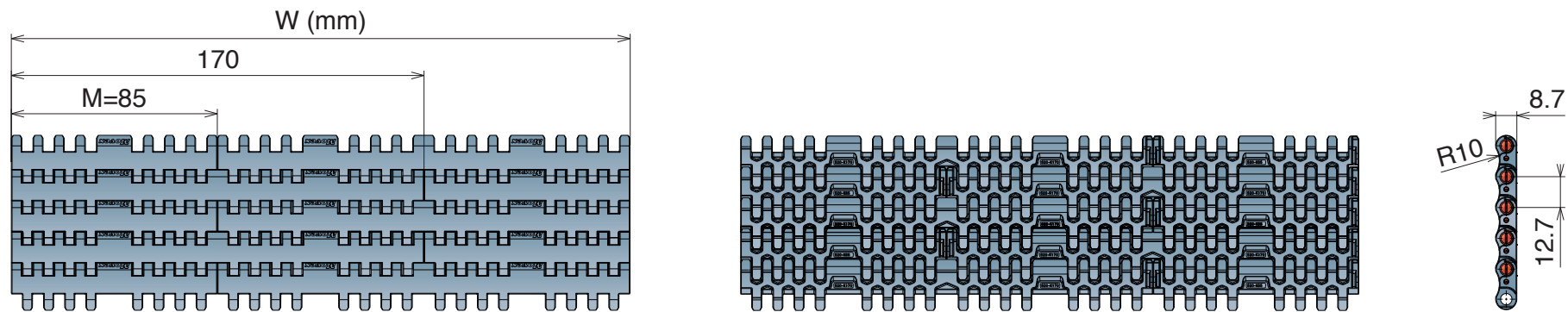
Easy, fixed sprocket positions ensure also an optimum belt-sprocket engagement.



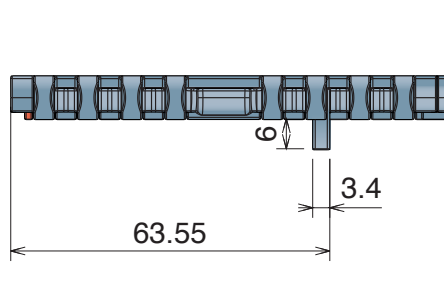
CORRECT POSITION

# Dimensions and available options

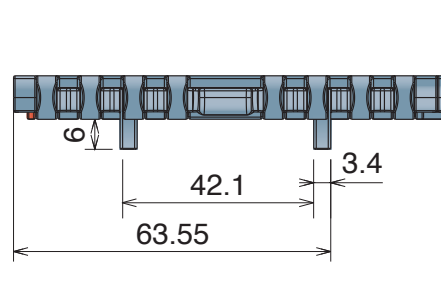
## Version A - Standard



## Version B - With 1 Positioner



## Version C - With 2 Positioners



**Belt pitch:** 12.7 mm

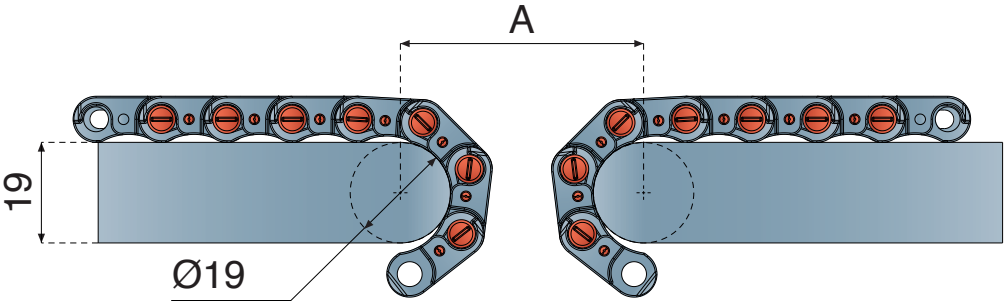
**Thickness:** 8.7 mm

**Back-flex radius (min.):** 10.0 mm

**Chain material:** LFA - MX - MPX - PFX

**Pin material:** PBT white - POM grey

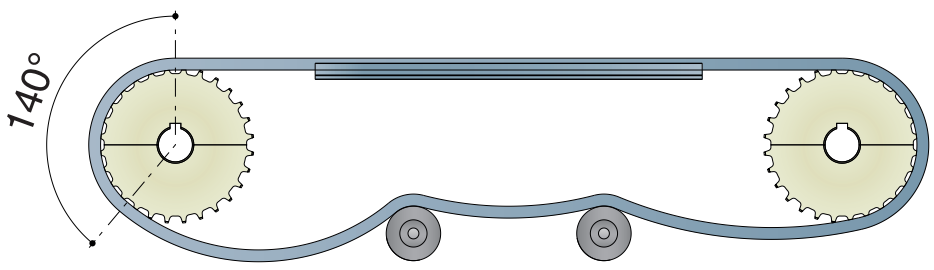
# Installation tips & Examples of application



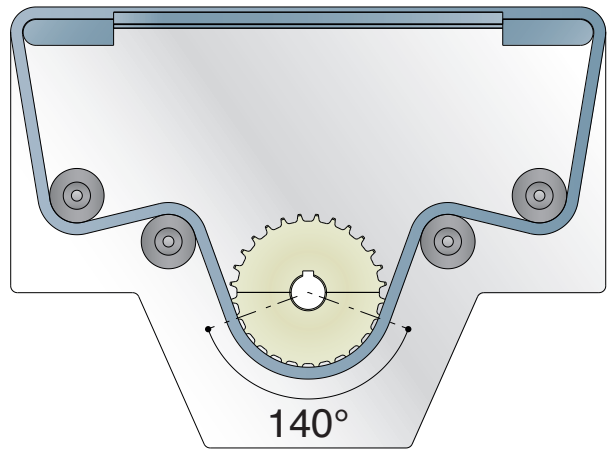
**Installation tips**

Belt type 1	Belt type 2	A
520 HD FT	FT/GT	40
520 HD FT	GT	42
520 HD FT	LBP	53

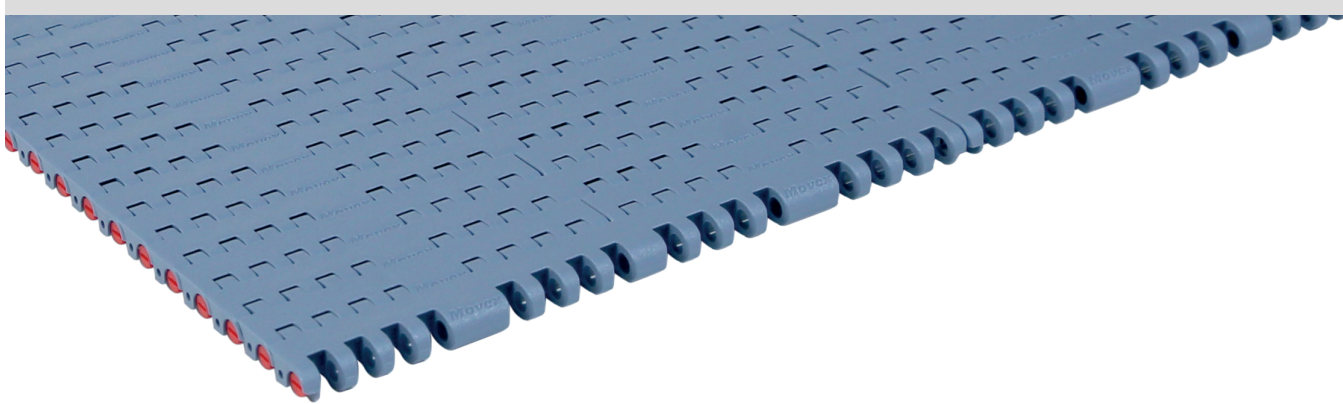
Example | A



Example | B



# Product order Code



## CODE STRUCTURE GUIDE (Example)

Series	*Material	Width	Version
5211	01	0085	A

### Version A - Standard

Series	*Material	Width	Version
5211	*	0085	A
5211	*	0170	A
5211	*	0255	A
5211	*	0340	A
5211	*	0425	A
5211	*	0510	A
5211	*	0595	A
5211	*	0680	A

### Version B - With 1 Positioner

Series	*Material	Width	Version
5211	*	0085	B
5211	*	0170	B
5211	*	0255	B
5211	*	0340	B
5211	*	0425	B
5211	*	0510	B
5211	*	0595	B
5211	*	0680	B

### Version C - With 2 Positioners

Series	*Material	Width	Version
5211	*	0085	C
5211	*	0170	C
5211	*	0255	C
5211	*	0340	C
5211	*	0425	C
5211	*	0510	C
5211	*	0595	C
5211	*	0680	C

Check with the Movex application department for available options.

## \*Material

### LFA - Code 01

*Low friction Acetal*

Max w. load:	25.000 N/m
Weight:	7,8 kg/m <sup>2</sup>
Temp. range Dry:	-40÷80 °C
Temp. range Wet:	-40÷65 °C

Pin material: PBT white

### MX - Code 03

*Performance PBT*

Max w. load:	20.000 N/m
Weight:	7,5 kg/m <sup>2</sup>
Temp. range Dry:	-40÷120 °C
Temp. range Wet:	-40÷60 °C

Pin material: POM grey

### MPX - Code 25

*Lubricated Acetal*

Max w. load:	25.000 N/m
Weight:	7,8 kg/m <sup>2</sup>
Temp. range Dry:	-40÷104 °C
Temp. range Wet:	NR

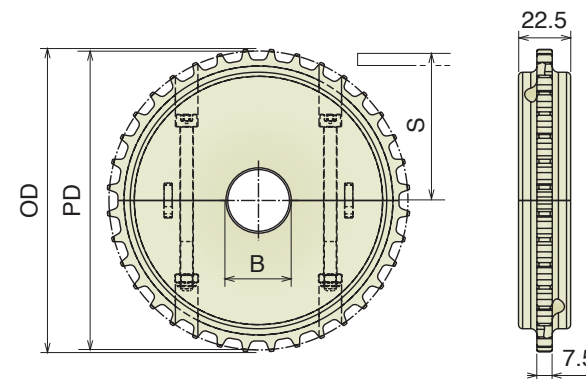
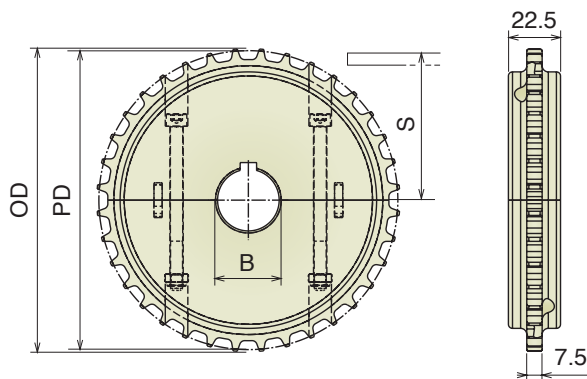
Pin material: PBT white

### PFX - Code 30

*Extra performance PBT*

Max w. load:	20.000 N/m
Weight:	7,5 kg/m <sup>2</sup>
Temp. range Dry:	-40÷120 °C
Temp. range Wet:	-40÷60 °C

Pin material: POM grey



# 520 HD

## Machined Sprockets

### Materiale / Material / Materialien:

Poliamide / Polyamide / Polyamid

Viti: Acciaio inox / Screws: Stainless steel / Schrauben: Edelstahl

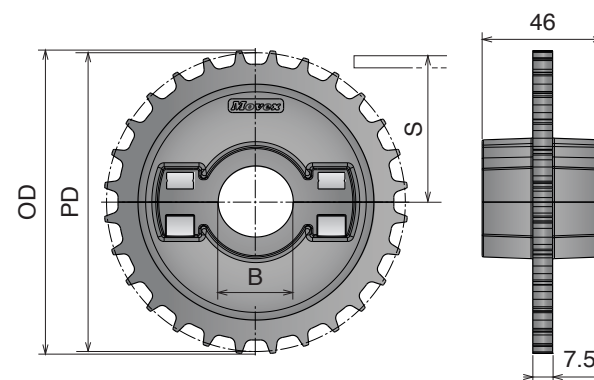
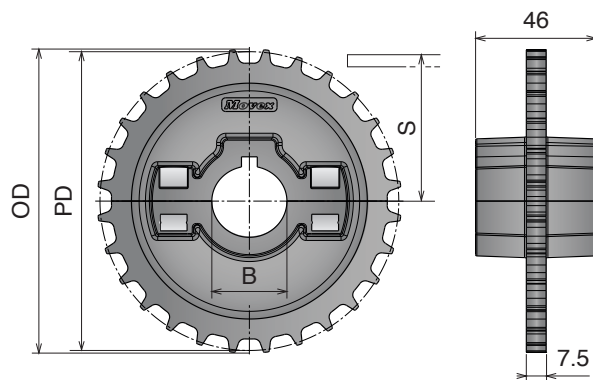
Dadi: ferro zincato / Nuts: zinc plated steel / Mutter: verzinkter Stahl

Part	Article-Nr.	Z-	Bore	PD	OD	S
1561	156101	28	25	113,4	115,4	52,4
1561	156102		30			
1561	156103		35			
1561	156104		40			
1561	156106		25*25			
1561	156107		30*30			
1561	156108		40*40			
1562	156201	36	25	145,7	147,7	68,5
1562	156202		30			
1562	156203		35			
1562	156204		40			
1562	156206		25*25			
1562	156207		30*30			
1562	156208		40*40			
1563	156301	38	25	153,8	155,8	72,6
1563	156302		30			
1563	156303		35			
1563	156304		40			
1563	156306		25*25			
1563	156307		30*30			
1563	156308		40*40			
1564	156401	40	25	161,9	163,8	76,6
1564	156402		30			
1564	156403		35			
1564	156404		40			
1564	156406		25*25			
1564	156407		30*30			
1564	156408		40*40			

Part	Article-Nr.	Z-	Bore	PD	OD	S
1561	156150	28	18*	113,4	115,4	52,4
1561	156151		25			
1561	156152		30			
1561	156153		35			
1561	156154		40			
1562	156250	36	18*	145,7	147,7	68,5
1562	156251		25			
1562	156252		30			
1562	156253		35			
1562	156254		40			
1563	156350	38	18*	153,8	155,8	72,6
1563	156351		25			
1563	156352		30			
1563	156353		35			
1563	156354		40			
1564	156450	40	18*	161,9	163,8	76,6
1564	156451		25			
1564	156452		30			
1564	156453		35			
1564	156454		40			

\*Plain Bore





# 520 HD

## Molded Sprockets

### Material / Material / Materialien:

Poliammide rinforzato / Reinforced polyamide / Verstärktes Polyamid  
 Viti: Acciaio inox / Screws: Stainless steel / Schrauben: Edelstahl  
 Dadi: ferro zincato / Nuts: zinc plated steel / Mutter: verzinkter Stahl

Part	Article-Nr.	Z-	Bore	PD	OD	S
1630	163001	24	25	97,3	99,3	44,3
1630	163002		30			
1630	163003		35			
1630	163004		40			
1630	163006		25* 25			
1630	163007		30* 30			
1630	163008		40* 40			
1631	163101	28	25	113,4	115,4	52,4
1631	163102		30			
1631	163103		35			
1631	163104		40			
1631	163106		25* 25			
1631	163107		30* 30			
1631	163108		40* 40			
1632	163201	36	25	145,7	147,7	68,5
1632	163202		30			
1632	163203		35			
1632	163204		40			
1632	163206		25* 25			
1632	163207		30* 30			
1632	163208		40* 40			

Part	Article-Nr.	Z-	Bore	PD	OD	S
1630	163051	24	25	97,3	99,3	44,3
1630	163052		30			
1630	163053		35			
1630	163054		40			
1631	163151	28	25	113,4	115,4	52,4
1631	163152		30			
1631	163153		35			
1631	163154		40			
1632	163251	36	25	145,7	147,7	68,5
1632	163252		30			
1632	163253		35			
1632	163254		40			

***Movex***<sup>®</sup>

[www.movexii.com](http://www.movexii.com)

5 2 0 H D F T P R E S E N T A T I O N