

TRY IT WITH
PFX
ROLLERS

Modular Belt
520 PRO LBP

Movex[®]
PRODUCT PRESENTATION

520 PRO LBP

A fast step forward.

Energy

25% less energy consumed.
Lower chain weight and easy rotation of the rollers guarantee minimal backline pressure.

Easy clip

Easy and quick installation and use.

Backline pressure

During accumulation phase,
30% less pressure on the product.

Backflex radius

Backflex radius min is 40 mm.



Pins connection

Improved pins and roller connection
available pins in Plastic or SS.

Safe design

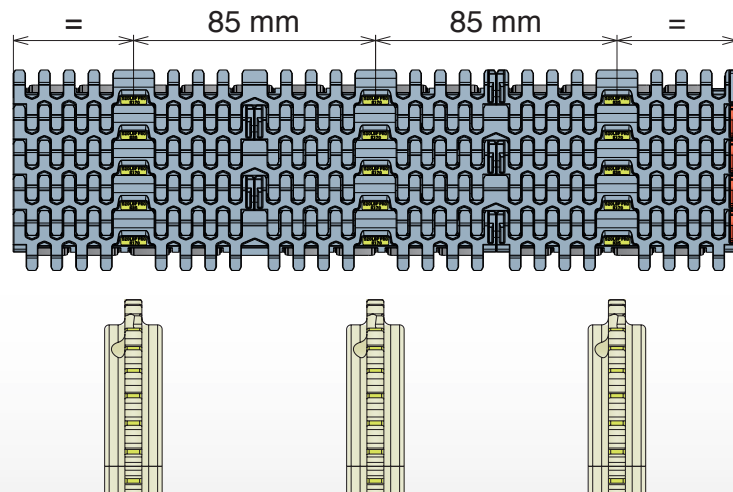
Reduces gaps between the rollers for a more
secure operation of the belt.

Modular Belt Series 520 PRO LBP Total H=18

The differences with a standard LBP

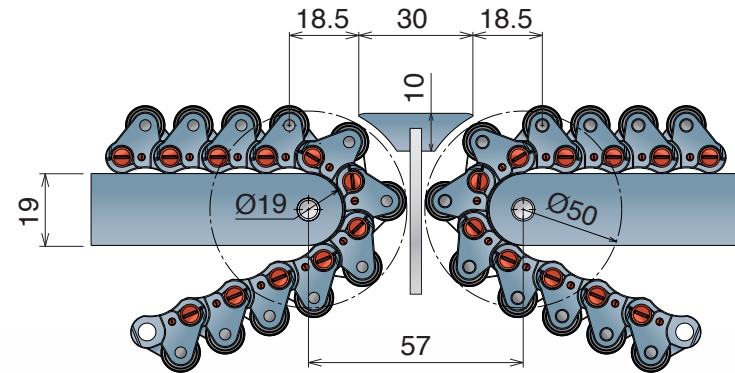
Sprockets positioning

New design belt ensure an easy sprocket positioning.



More compactness

The improved compactness of the belt guarantees smaller transfers.



Minimizes chordal action with outside belt diameter $\varnothing 50$ mm.



High performance

- -30% Backline pressure
- Improved roller and pins connection
- Smaller head to tail transfers



Best Safety

- Small gaps between rollers, to protect operator
- Permanently fixed roller pins
- Reduced noise

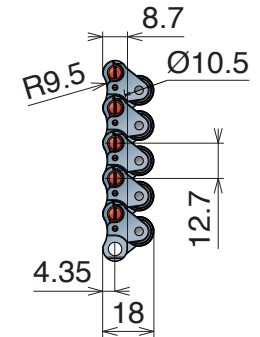
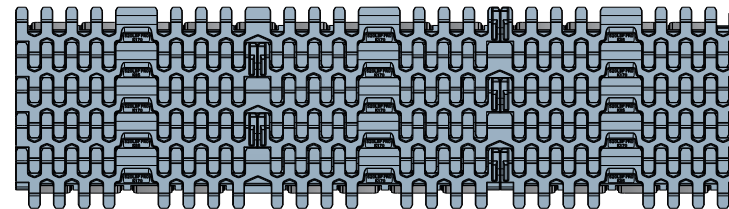
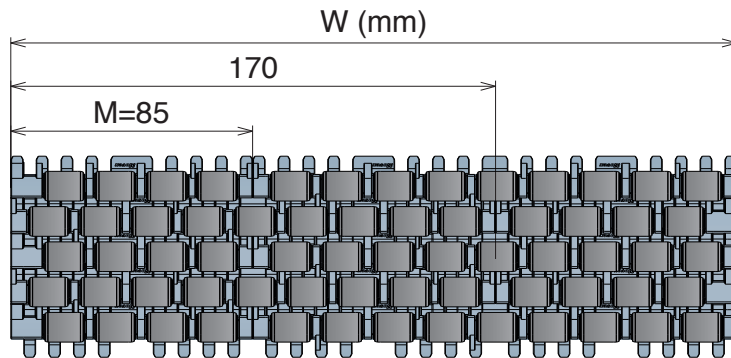


Energy saving

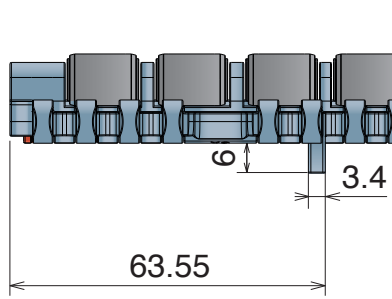
- Low chain weight
- Reduction of friction
- Wearstrips in **BluLub** are recommended

Dimensions and available executions

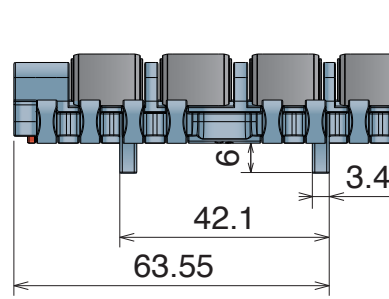
Version A - Standard



Version B - With 1 Positioner



Version C - With 2 Positioner



Chain pitch: 12.7 mm

Thickness: 18.0 mm

Back-flex radius (min.): 40.0 mm

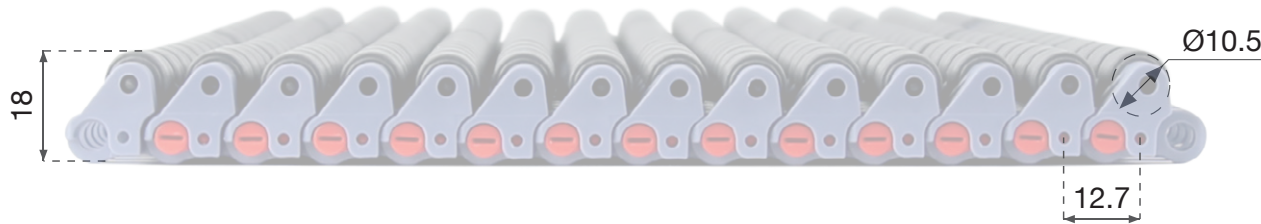
Chain material: LFA - Low Friction Acetal

Pin material for roller: Plastic or Stainless steel

Transfer roller diameter: 20 mm

Transfer plate thickness: 19 mm

Product order Code



Check with the Movex application department the possibilities to use it.

Belt material specifications

LFA - Code 01
Low friction Acetal

Max w. load:	25000 N/m
Weight with SS pin:	19,0 kg/m ²
Weight with Plastic pin:	15,3 kg/m ²
Temp. range dry:	-40÷80 °C
Temp. range wet:	1÷65 °C

List of Plastic material

Belt	POM	Belt pins	PBT	Clip	POM
LBP roller	POM	LBP pins	PBT		

520 PRO LBP with Stainless steel pin

Version A - Standard

Series		Material	Width	Version
Standard roller	PFX roller			
5207	5209	01	0085	A
5207	5209	01	0170	A
5207	5209	01	0255	A
5207	5209	01	0340	A
5207	5209	01	0425	A
5207	5209	01	0510	A
5207	5209	01	0595	A
5207	5209	01	0680	A

Version B - With 1 Positioner

Series		Material	Width	Version
Standard roller	PFX roller			
5207	5209	01	0085	B
5207	5209	01	0170	B
5207	5209	01	0255	B
5207	5209	01	0340	B
5207	5209	01	0425	B
5207	5209	01	0510	B
5207	5209	01	0595	B
5207	5209	01	0680	B

Version C - With 2 Positioners

Series		Material	Width	Version
Standard roller	PFX roller			
5207	5209	01	0085	C
5207	5209	01	0170	C
5207	5209	01	0255	C
5207	5209	01	0340	C
5207	5209	01	0425	C
5207	5209	01	0510	C
5207	5209	01	0595	C
5207	5209	01	0680	C

Standard increment: 85 mm

520 PRO LBP with Plastic pin

Version A - Standard

Series		Material	Width	Version
Standard roller	PFX roller			
5208	5210	01	0085	A
5208	5210	01	0170	A
5208	5210	01	0255	A
5208	5210	01	0340	A
5208	5210	01	0425	A
5208	5210	01	0510	A
5208	5210	01	0595	A
5208	5210	01	0680	A

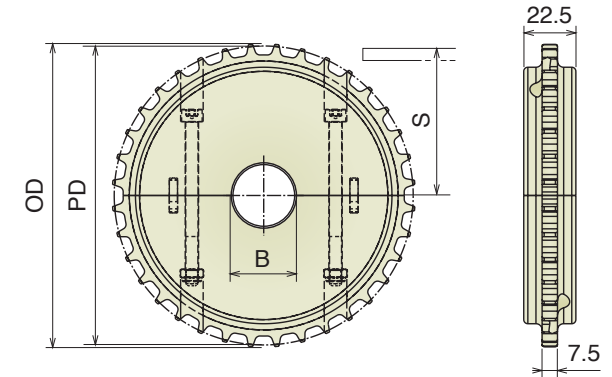
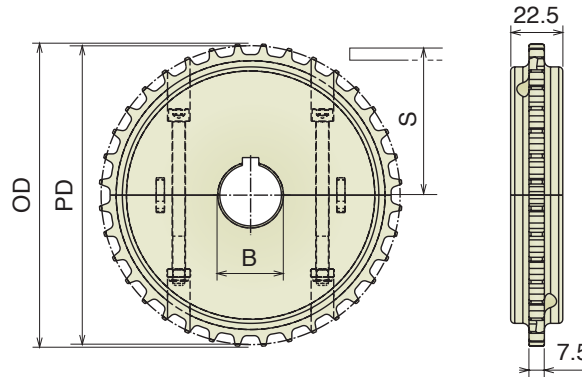
Version B - With 1 Positioner

Series		Material	Width	Version
Standard roller	PFX roller			
5208	5210	01	0085	B
5208	5210	01	0170	B
5208	5210	01	0255	B
5208	5210	01	0340	B
5208	5210	01	0425	B
5208	5210	01	0510	B
5208	5210	01	0595	B
5208	5210	01	0680	B



Version C - With 2 Positioners

Series		Material	Width	Version
Standard roller	PFX roller			
5208	5210	01	0085	C
5208	5210	01	0170	C
5208	5210	01	0255	C
5208	5210	01	0340	C
5208	5210	01	0425	C
5208	5210	01	0510	C
5208	5210	01	0595	C
5208	5210	01	0680	C



520 PRO

Sprockets Machined

Materiale / Material / Materialien:

Poliamide / Polyamide / Polyamid

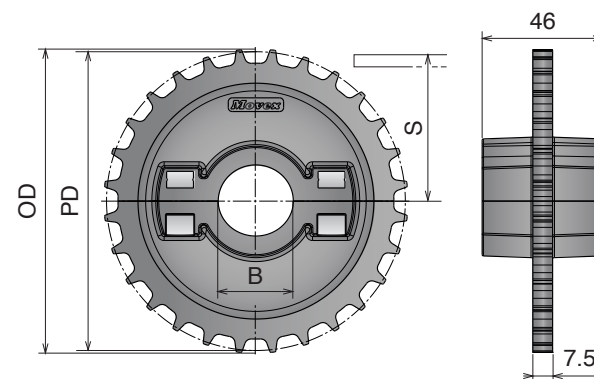
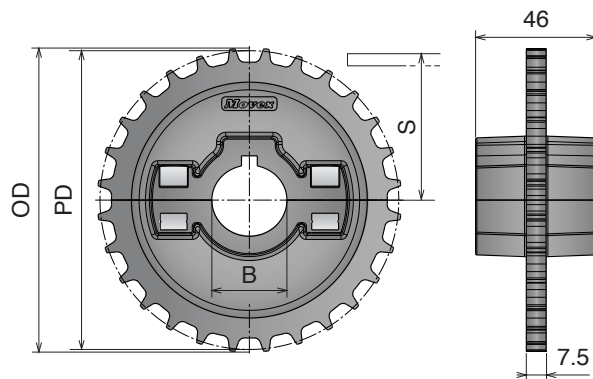
Viti: Acciaio inox / Screws: Stainless steel / Schrauben: Edelstahl

Dadi: ferro zincato / Nuts: zinc plated steel / Mutter: verzinkter Stahl

Part	Article-Nr.	Z-	Bore	PD	OD	S
1561	156101	28	25	113,4	115,4	52,4
1561	156102		30			
1561	156103		35			
1561	156104		40			
1561	156106		25*25			
1561	156107		30*30			
1561	156108		40*40			
1562	156201	36	25	145,7	147,7	68,5
1562	156202		30			
1562	156203		35			
1562	156204		40			
1562	156206		25*25			
1562	156207		30*30			
1562	156208		40*40			
1563	156301	38	25	153,8	155,8	72,6
1563	156302		30			
1563	156303		35			
1563	156304		40			
1563	156306		25*25			
1563	156307		30*30			
1563	156308		40*40			
1564	156401	40	25	161,9	163,8	76,6
1564	156402		30			
1564	156403		35			
1564	156404		40			
1564	156406		25*25			
1564	156407		30*30			
1564	156408		40*40			

Part	Article-Nr.	Z-	Bore	PD	OD	S
1561	156150	28	18*	113,4	115,4	52,4
1561	156151		25			
1561	156152		30			
1561	156153		35			
1561	156154		40			
1562	156250	36	18*	145,7	147,7	68,5
1562	156251		25			
1562	156252		30			
1562	156253		35			
1562	156254		40			
1563	156350	38	18*	153,8	155,8	72,6
1563	156351		25			
1563	156352		30			
1563	156353		35			
1563	156354		40			
1564	156450	40	18*	161,9	163,8	76,6
1564	156451		25			
1564	156452		30			
1564	156453		35			
1564	156454		40			

*Plain Bore



520 PRO

Sprockets Molded

Materiale / Material / Materialien:

Poliammide rinforzato / Reinforced polyamide / Verstärktes Polyamid
 Viti: Acciaio inox / Screws: Stainless steel / Schrauben: Edelstahl
 Dadi: ferro zincato / Nuts: zinc plated steel / Mutter: verzinkter Stahl

Part	Article-Nr.	Z-	Bore	PD	OD	S
1630	163001	24	25	97,3	99,3	44,3
1630	163002		30			
1630	163003		35			
1630	163004		40			
1630	163006		25* 25			
1630	163007		30* 30			
1630	163008		40* 40			
1631	163101	28	25	113,4	115,4	52,4
1631	163102		30			
1631	163103		35			
1631	163104		40			
1631	163106		25* 25			
1631	163107		30* 30			
1631	163108		40* 40			
1632	163201	36	25	145,7	147,7	68,5
1632	163202		30			
1632	163203		35			
1632	163204		40			
1632	163206		25* 25			
1632	163207		30* 30			
1632	163208		40* 40			

Part	Article-Nr.	Z-	Bore	PD	OD	S
1630	163051	24	25	97,3	99,3	44,3
1630	163052		30			
1630	163053		35			
1630	163054		40			
1631	163151	28	25	113,4	115,4	52,4
1631	163152		30			
1631	163153		35			
1631	163154		40			
1632	163251	36	25	145,7	147,7	68,5
1632	163252		30			
1632	163253		35			
1632	163254		40			

Movex®

Movex[®]

www.movexii.com

5 2 0 P R O L B P P R E S E N T A T I O N