

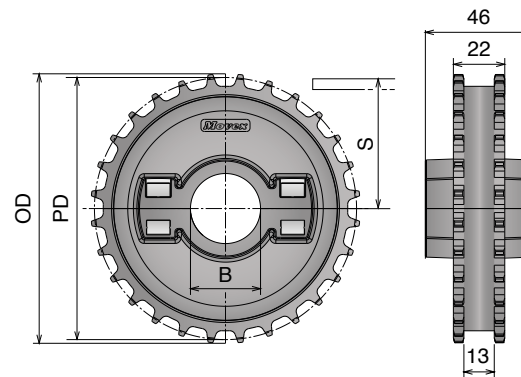
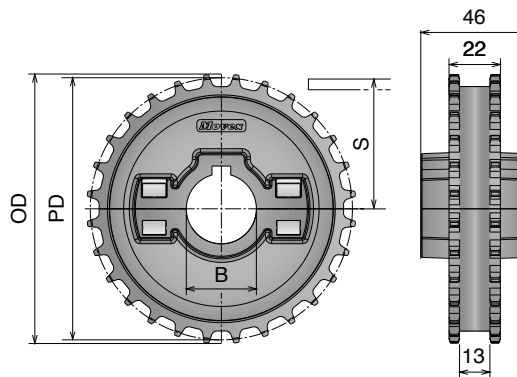


Belt sprockets
520 Series
Molded version

Movex[®]
RANGE EXTENSION

520 Series Molded Sprockets

NEW



Split drive sprocket and
Split idler sprocket.

Molded

Material: Reinforced polyamide
Screws: Stainless steel Nuts: Zinc plated steel

Dimensions expressed in millimeter

Art-Nr.	Z-	Bore	PD	OD	S
150501	24	25	97,3	99,3	44,3
150502		30			
150503		35			
150504		40			
150506		25* 25	□		
150507		30* 30	□		
150508		40* 40	□		
150601	28	25	113,4	115,4	52,4
150602		30			
150603		35			
150604		40			
150606		25* 25	□		
150607		30* 30	□		
150608		40* 40	□		
150701	36	25	145,7	147,7	68,5
150702		30			
150703		35			
150704		40			
150706		25* 25	□		
150707		30* 30	□		
150708		40* 40	□		
150801	38	25	153,8	155,8	72,6
150802		30			
150803		35			
150804		40			
150806		25* 25	□		
150807		30* 30	□		
150808		40* 40	□		

Art-Nr.	Z-	Bore	PD	OD	S
150551	24	25	97,3	99,3	44,3
150552		30			
150553		35			
150554		40			
150651	28	25	113,4	115,4	52,4
150652		30			
150653		35			
150654		40			
150751	36	25	145,7	147,7	68,5
150752		30			
150753		35			
150754		40			
150851	38	25	153,8	155,8	72,6
150852		30			
150853		35			
150854		40			

NEW

Movex[®]

www.movexii.com

RANGE EXTENSION