

550 FLIGHTTOP

Modular Belt

Movex[®]

www.movexii.com

550 FLIGHTTOP

The best choice for incline conveyor!

The new **Movex® 550 FlightTop** modular belt is the perfect solution to convey every type of products up an incline, molded modules with flights can be easily connected to our 550 modular belt series (flat top, flush grid and grip top).

Available materials are Low friction acetal Pigeon Blue (RAL 5014), White and Blue (RAL 5005).

The wide range of available heights (up to 76 mm) make the belt suitable for any application, from food to logistic and distribution, from small parts to heavy ones.

Side indent and central notches are available to support the belt in the return section, by guiding it with **Movex® extruded wear-strips**.

Custom your belt and ask for a quotation, look at our website or ask to your sales representative.



High performance

Longer wear life lead to excellent and long enduring product handling features.



Completely customizable

different flight, side indents and notches.



Wide range available

with 550 FT, FG and GT version.



Solid structure

Smooth radii and surface.

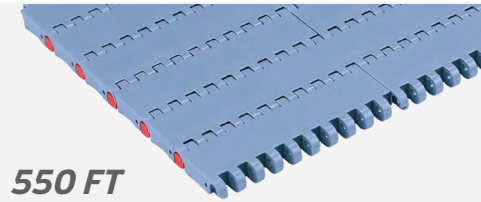


Food contact Certified

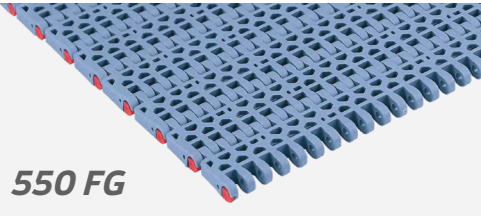
Acetal resin is suitable in food application.



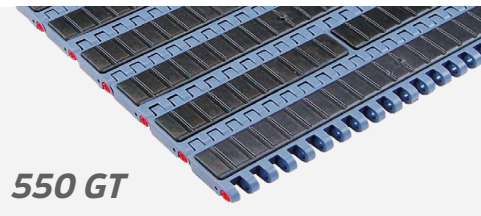
Perfect combination with:



550 FT



550 FG



550 GT



Description and Features

Smooth surface to avoid risk of product damaging.

Customizable belt surface, material and color.

Flight heights available
30 mm | 51 mm | 76 mm.

Side indent available
0 mm | 17 mm | 30 mm | 51 mm
Double 30 mm.

General products features

Belt pitch	25,4 mm (1.00")
Thickness	8,7 mm (0.34")
Increments	85 mm (3.35")
Back flex radius	30 mm (1.18")



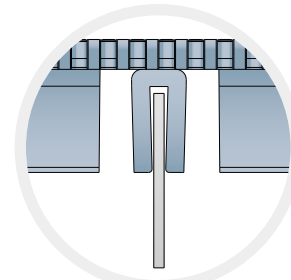
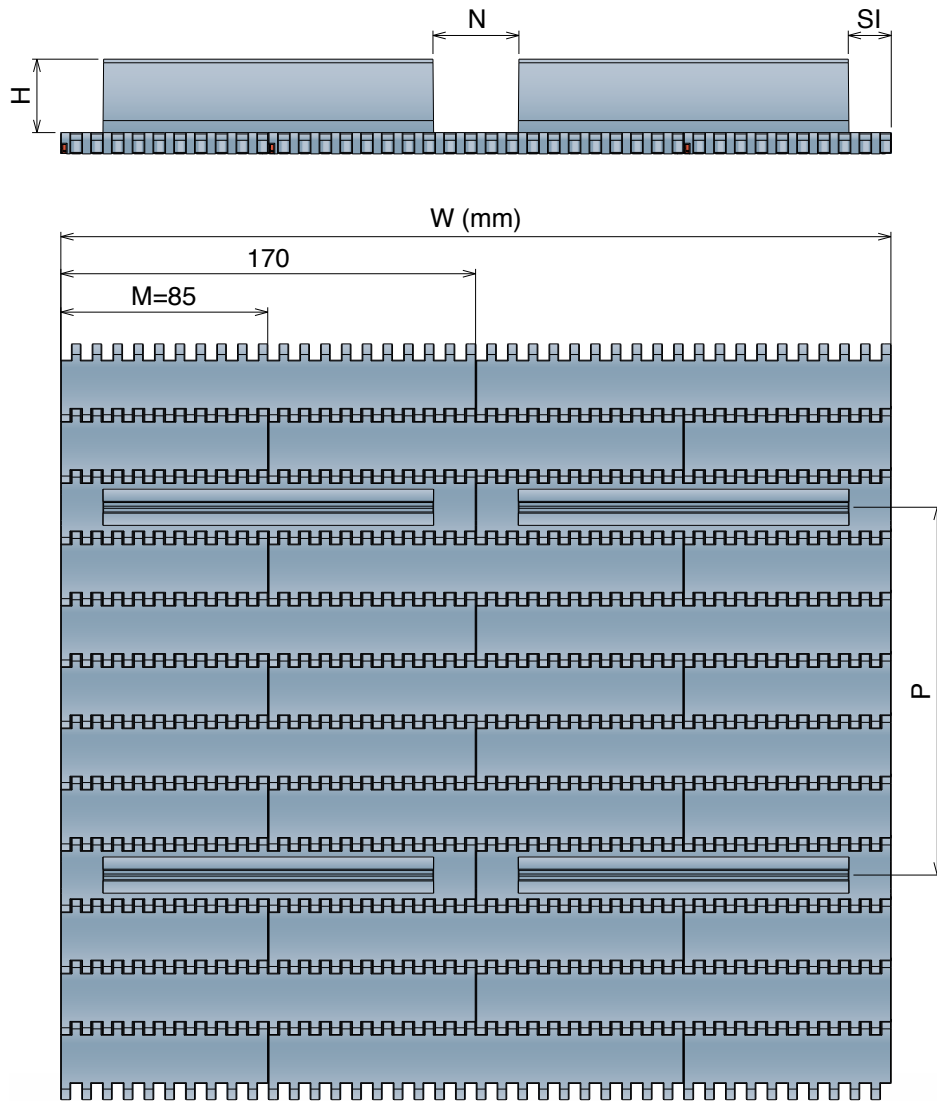
Belt surface available

Flat Top (FT) | Flush Grid (FG) | Grip Top (GT)

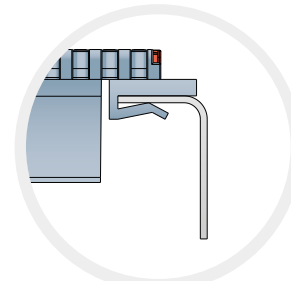
Application areas

Inclines | Elevators | Product divider

Dimension and Material



Notch utility
RETURN SECTION
with Bar-cap



Side indent utility
RETURN SECTION
with Z-Profile & J-Profile

For complete profile range,
please refer to our general catalog.

Material

LFA

Low friction Acetal

Max working load: 27500 N/m (188 lbs/ft)
Weight: 8,5 Kg/m² (1.73 lbs/ft²)
Temp. range dry: -40÷80 °C (-40÷176°F)
Temp. range wet: -40÷65 °C (-40÷149°F)
Pin material: PBT white

LFW

Low friction Acetal

Max working load: 27500 N/m (188 lbs/ft)
Weight: 8,5 Kg/m² (1.73 lbs/ft²)
Temp. range dry: -40÷80 °C (-40÷176°F)
Temp. range wet: -40÷65 °C (-40÷149°F)
Pin material: PBT white

LFB

Low friction Acetal

Max working load: 27500 N/m (188 lbs/ft)
Weight: 8,5 Kg/m² (1.73 lbs/ft²)
Temp. range dry: -40÷80 °C (-40÷176°F)
Temp. range wet: -40÷65 °C (-40÷149°F)
Pin material: PBT white

Also available in

PP

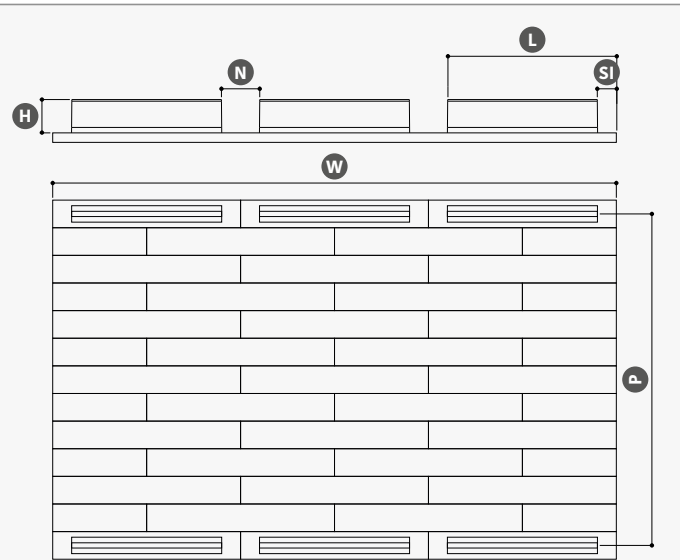
Polypropylene

PPW

Polypropylene

Request of quotation

Technical drawing



Please fill out all the following form or add dimensions into the drawing.

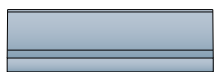
Technical features

Dimension expressed in millimeter

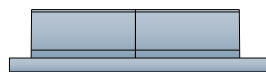
Belt surface	Flat Top (FT)	Flush Grid (FG)	Grip Top (GT)		
Material & colour	LFA	LFW	LFB	PP	PPW
W - Width	Standard (85 multiple)		Special (17 multiple)		
H - Flight height	Standard	Standard	Standard	Special (Max 76)	
	30	51	76		
P - Pitch	Number or mm (25,4 multiple)				
SI - Side Indent*	No	17	30	50	
Notch*	No	Single	Double	Triple	
	N - Notch width (preferred 30 or 60 mm)		L - Notch distance (2 or more)		

*For different combination, please ask directly to your sales representative.

Configuration Recommended



Width ≤ 170
mm



170 > Width ≤ 425
mm



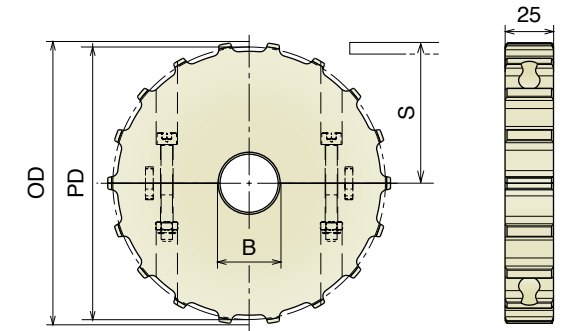
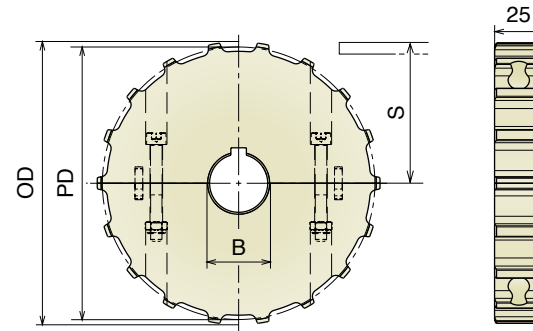
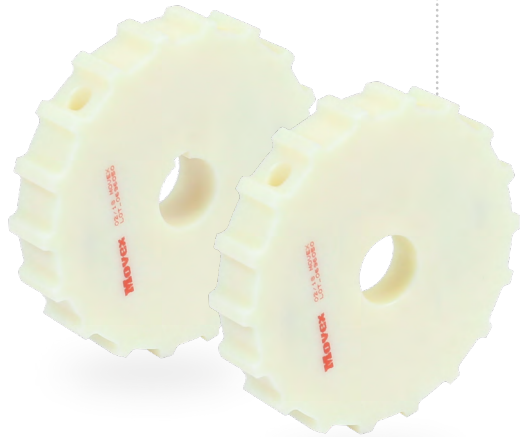
425 > Width ≤ 850
mm



Width > 850
mm

Sprockets available

- Optimized hygenic
- Quick replacement



550 FLIGHTTOP

Split drive sprocket and
Split idler sprocket.

Machined

Dimensions expressed in millimeter

Art-Nr.	Z-	Bore	PD	OD	S
152101	14	25	114,1	114,0	52,7
152102		30			
152103		35			
152104		40			
152106		25* 25			
152107		30* 30			
152108		40* 40			
152201	16	25	130,2	130,0	60,7
152202		30			
152203		35			
152204		40			
152206		25* 25			
152207		30* 30			
152208		40* 40			
152301	18	25	146,3	146,0	68,8
152302		30			
152303		35			
152304		40			
152306		25* 25			
152307		30* 30			
152308		40* 40			
152401	20	25	162,4	162,0	76,8
152402		30			
152403		35			
152404		40			
152406		25* 25			
152407		30* 30			
152408		40* 40			

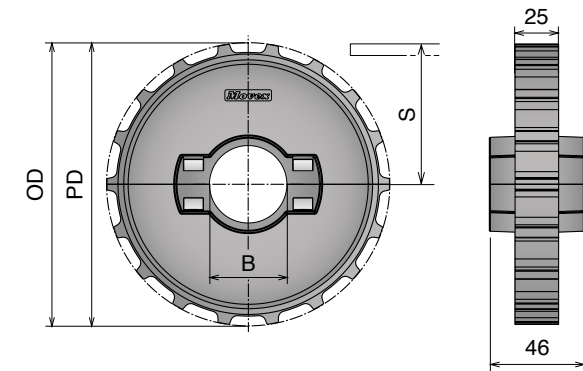
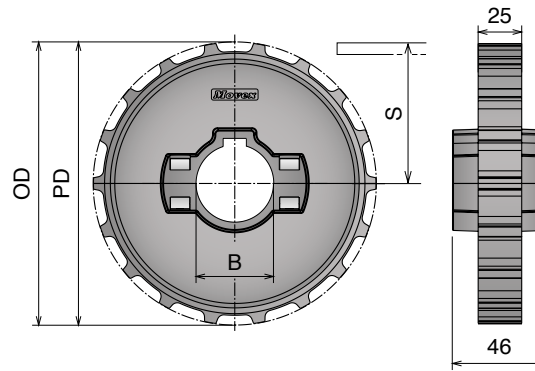
Art-Nr.	Z-	Bore	PD	OD	S
152150	14	18*	114,1	114,0	52,7
152151		25			
152152		30			
152153		35			
152154		40			
152250	16	18*	130,2	130,0	60,7
152251		25			
152252		30			
152253		35			
152254		40			
152350	18	18*	146,3	146,0	68,8
152351		25			
152352		30			
152353		35			
152354		40			
152450	20	18*	162,4	162,0	76,8
152451		25			
152452		30			
152453		35			
152454		40			

*Plain Bore

Material: Polyamide
Screws: Stainless steel Nuts: zinc plated steel

Sprockets available

- Easy clean and installation
- Heavy duty design



Art-Nr.	Z-	Bore	PD	OD	S
152501	14	25	114,1	114,0	52,7
152502		30			
152503		35			
152504		40			
152506		25* 25	□		
152507		30* 30	□		
152508		40* 40	□		
152601	16	25	130,2	130,0	60,7
152602		30			
152603		35			
152604		40			
152606		25* 25	□		
152607		30* 30	□		
152608		40* 40	□		
152701	18	25	146,3	146,0	68,8
152702		30			
152703		35			
152704		40			
152706		25* 25	□		
152707		30* 30	□		
152708		40* 40	□		
152801	20	25	162,4	162,0	76,8
152802		30			
152803		35			
152804		40			
152806		25* 25	□		
152807		30* 30	□		
152808		40* 40	□		

Art-Nr.	Z-	Bore	PD	OD	S
152551	14	25	114,1	114,0	52,7
152552		30			
152553		35			
152554		40			
152651	16	25	130,2	130,0	60,7
152652		30			
152653		35			
152654		40			
152751	18	25	146,3	146,0	68,8
152752		30			
152753		35			
152754		40			
152851	20	25	162,4	162,0	76,8
152852		30			
152853		35			
152854		40			

*Plain Bore

⚙️ **Material:** Reinforced polyamide
Screws: Stainless steel Nuts: zinc plated steel

550 FLIGHTTOP

Split drive sprocket and
Split idler sprocket.

Molded

Dimensions expressed in millimeter



Movex around the world

Movex GmbH

P +49-6204-9375-0

Movex Brasil Ltda

P +55-15-3141-2550

Movex France

P +39-335-8085980

Movex AG India

P +91-120-4159660-62

Movex Russia

P +7 (495) 925-88-56

Movex UK Ltd.

P +44-77-20678442

Movex Nederland

P +31-630-994850

Movex USA Inc.

P +1-919-274-5477

Movex SA de CV

P +52-1-331845818

Movex Ukraine

P +380-667507756

Movex S.p.A.

Headquarter

Viale Industria, 22 - 24060
Castelli Calepio (BG) Italy

Logistics center

Via Repubblica, 25 - 24060
Castelli Calepio (BG) Italy