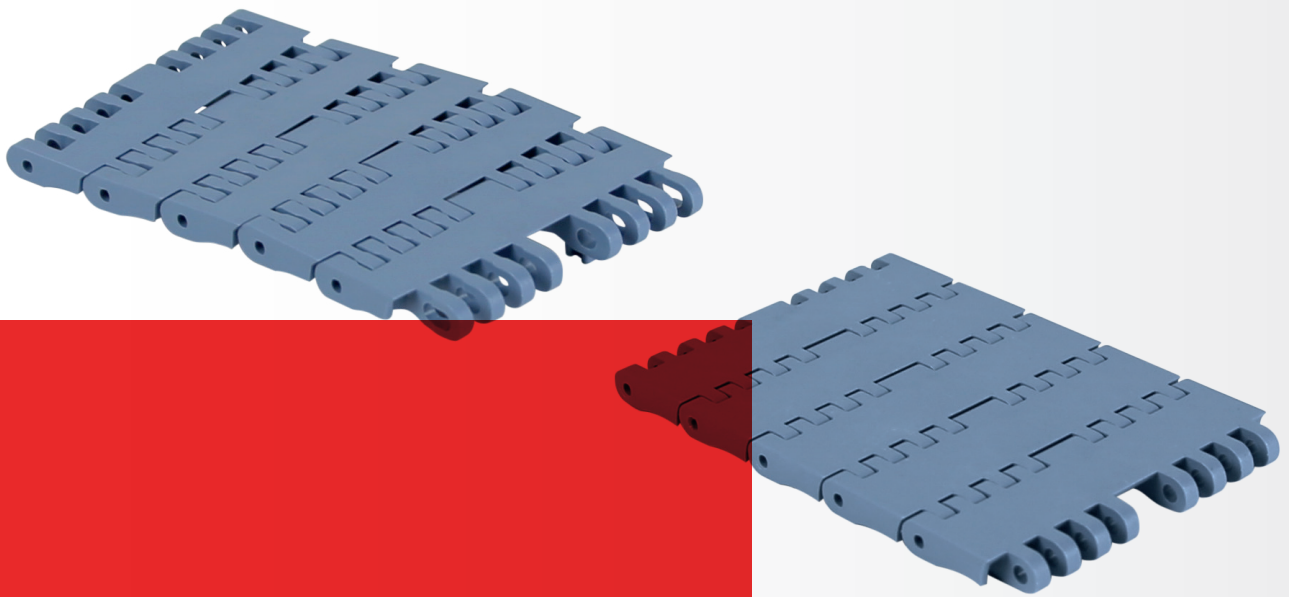


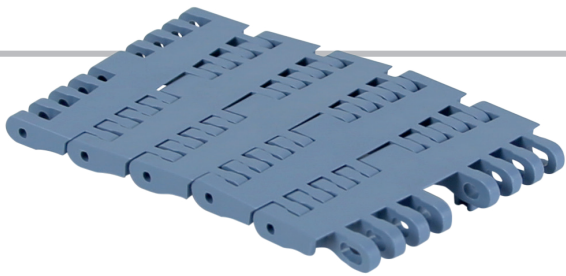
MODULAR BELTS



METRIC SIZE

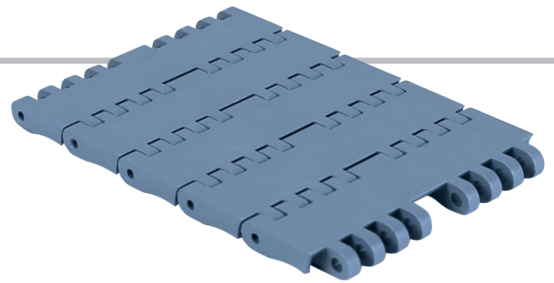
**550 PRO M | 550 PRO FT**  
MODULAR BELTS

**Movex<sup>®</sup>**



# 550 PRO M

**Magnetic Sideflexing Chain-belt**  
1" pitch H=8,7 K330



# 550 PRO FT

**Straight One track belt**  
1" pitch H=8,7 K330

The **550 PRO M** is designed to create the optimum support in magnetic curves, specific for the most instable products like PET bottles. The standard radius of 500 mm in combination with the special designed hinge creates the optimized situation for instable products.

The new **550 PRO M** 1"pitch chain-belt with standard double positioner and MTW (mold-to-width) 83.8 mm (K330), offers a perfect solution for side-flexing applications in combination with our **550 PRO FT** straight running belt series.

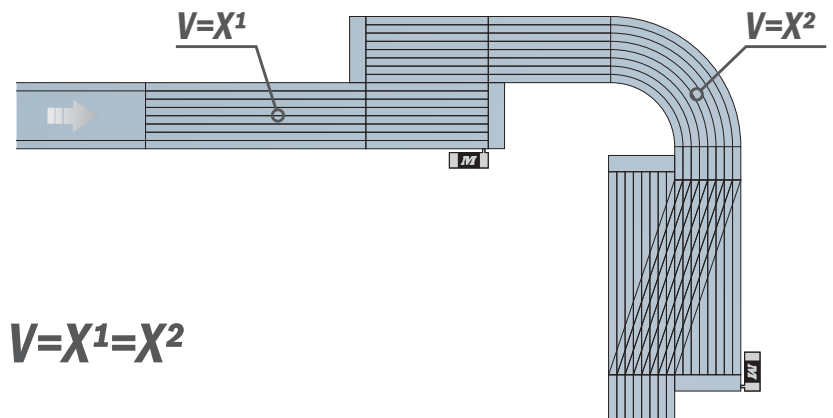
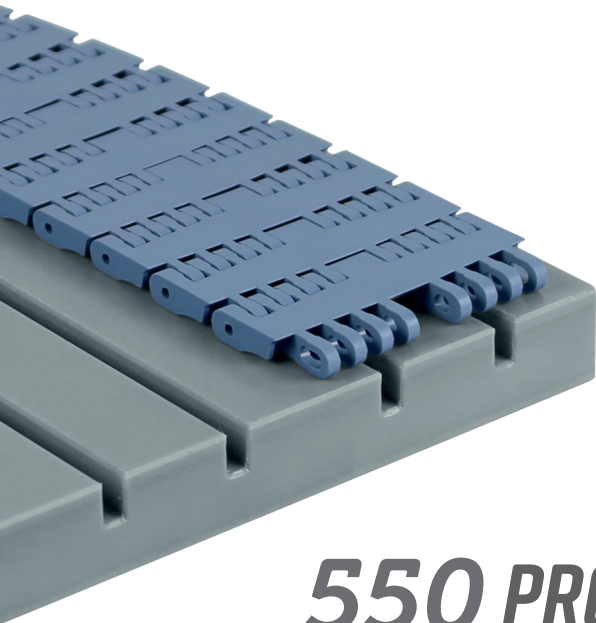
The use of an identical sprocket for the straight running **550 PRO FT** and the side-flexing **550 PRO M** assures also an identical speed for both belts, another advantage which avoids the risk that instable products tend to tumble over. The new clip-design, assures a perfect pin-locking system without any risk that the clip will open during operation.

The **550 PRO M** and **550 PRO FT** are available in standard polyacetal but also in special materials like the **Movex® MX** and **PFX** material which are both excellent materials for applications where limited lubrication is applicable or even NO lubrication is required.

The lower weight of the new **550 PRO M** contributes also to the sustainable goals. The lower weight results in less energy consumption during full speed operation.

## Advantages:

- ▶ Optimized product support
- ▶ Superior flatness
- ▶ Low wear
- ▶ Bi-directional



# 550 PRO M & 550 PRO FT

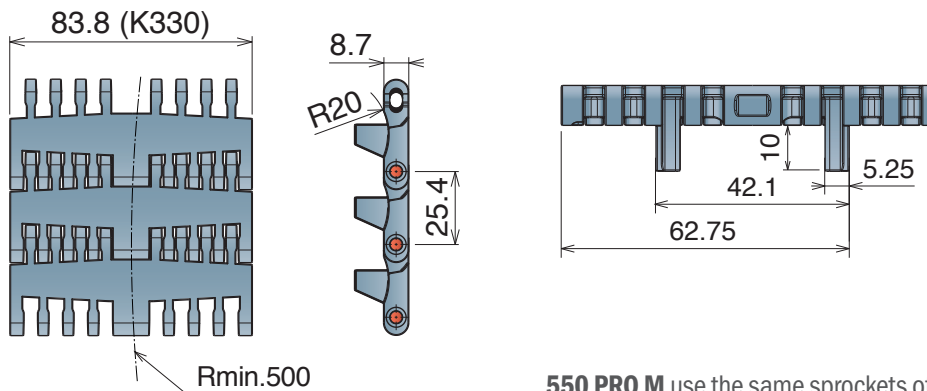
*The perfect combination*

- ▶ Same height between guide and center sprockets (S dimension)
- ▶ Same speed for curved and straight
- ▶ 1 sprocket for curved and straight

# 550 PRO M

## Features and Product order Code

Version C - With 2 Positioner



**Min. Sideflex radius:** 500 mm  
**Available width:** K330 - 83,8 mm  
**Pitch:** 25,4 mm  
**Thickness:** 8,7 mm  
**Standard Length:** 120 links  
 (10 ft - 3,048 mt)  
**Pin Material:** Ferritic Stainless Steel

550 PRO M use the same sprockets of 550 PRO FT, Consult our catalogue for details.

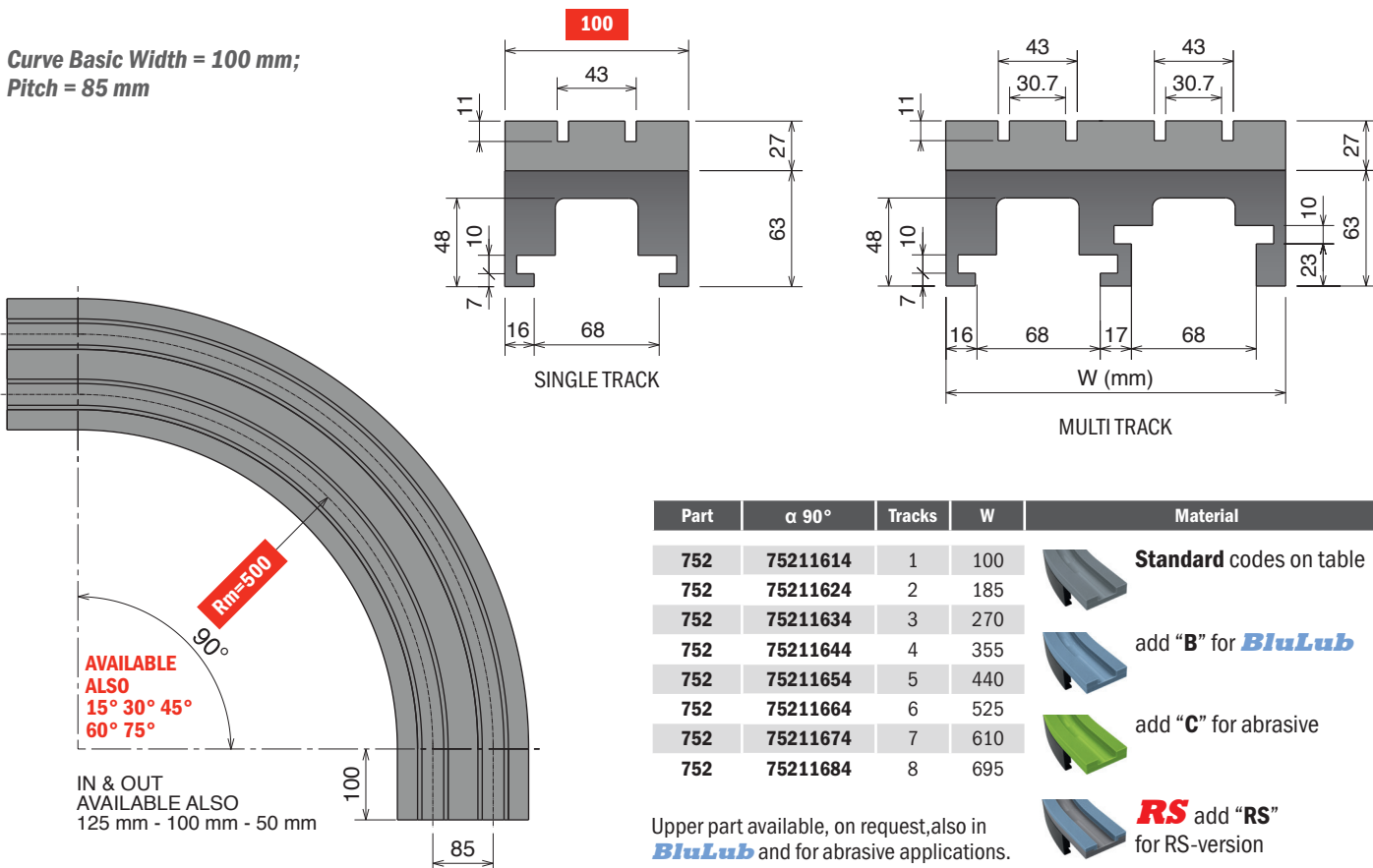
<b>LFA</b> Low friction Acetal	Article-Nr.
	5228019330C

<b>MX</b> Performance PBT	Article-Nr.
	5228039330C

<b>PFX</b> Extra performance PBT	Article-Nr.
	5228309330C

## Magnetic Curves available

Curve Basic Width = 100 mm;  
Pitch = 85 mm



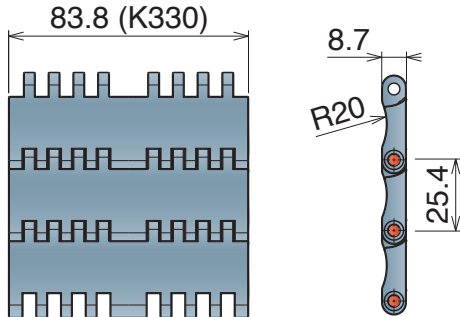
Part	$\alpha$ 90°	Tracks	W	Material
752	75211614	1	100	Standard codes on table
752	75211624	2	185	
752	75211634	3	270	add "B" for <b>BluLub</b>
752	75211644	4	355	
752	75211654	5	440	add "C" for abrasive
752	75211664	6	525	
752	75211674	7	610	add "RS" for RS-version
752	75211684	8	695	

Upper part available, on request, also in **BluLub** and for abrasive applications.

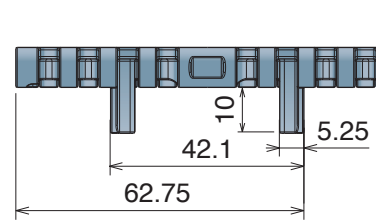
# 550 PRO FT

## Features and Product order Code

### Version A - Standard



### Version C - With 2 Positioner



**Available width:** K330 - 83,8 mm

**Pitch:** 25,4 mm

**Thickness:** 8,7 mm

**Standard Length:** 120 links  
(10 ft - 3,048 mt)

**Pin Material:** Plastic pin

### Version A - Standard

<b>LFA</b> Low friction Acetal	Article-Nr. 5227019330A
-----------------------------------	----------------------------

<b>MX</b> Performance PBT	Article-Nr. 5228039330A
------------------------------	----------------------------

<b>PFX</b> Extra performance PBT	Article-Nr. 5227309330A
-------------------------------------	----------------------------

### Version C - With 2 Positioner

<b>LFA</b> Low friction Acetal	Article-Nr. 5227019330C
-----------------------------------	----------------------------

<b>MX</b> Performance PBT	Article-Nr. 5227039330C
------------------------------	----------------------------

<b>PFX</b> Extra performance PBT	Article-Nr. 5227309330C
-------------------------------------	----------------------------

## Sprockets available

Consult our catalogue for details



**Split drive sprockets and Split idler sprockets, machined**



**Split drive sprockets and Split idler sprockets, molded**

550 PRO FT use the same sprockets of 550 PRO M.

# Movex®

Plant 1 Via Tasso (ang. via Noli Marenzi) 24060 Telgate (BG) Italy

Plant 2 Viale Industria, 22 24060 Castelli Calepio (BG) Italy

P +39 035 8359711 F +39 035 4420873 | info@movexii.com

[www.movexii.com](http://www.movexii.com) | Follow us   