

550 UTS

ULTIMATE TOP SYSTEM

Movex[®]

www.movexii.com

550 UTS

ULTIMATE TOP SYSTEM

The All-in-One modular belt



New design

High performance and efficiency, for a wide variety of applications and products.



Complexity reduction

550 UTS makes both maintenance and inventory management, a simple matter.



Versatility and efficiency

One modular belt suitable for petaloid bases, aluminium & steel cans, glass bottles and jars.



Pin-Sphere

New pin fixing system for best installation and maintenance.



Market compatibility

Connectable and interchangeable with 550 series design, running on same sprockets.



Best seller

More than 10 years fieldwork of 550 series, make the 550 UTS a guarantee of reliability.

One modular belt, countless uses.

Movex is excited to unveil the **550 Ultimate Top System** a novel fusion of flush grid and flat top modular belts. This innovative design was crafted to optimize sliding performance across various conveyed products such as PET, CAN, and GLASS, accommodating their distinct sliding surfaces.

Key advantages of this new design include enhanced self-cleaning and drainage capabilities, streamlined inventory management, reduced installation and maintenance challenges, energy savings of up to 18%, and extended wear life. Pairing the **550 UTS** with our high-performance PFX-extra PBT material positions this design as the prime option for dry-running applications. It's ideally suited for in-liners, out-liners, and pressure-less combiners.

If you don't know yet our new **550 UTS** and you're looking to boost your line layout and operational efficiency with a versatile all-in-one belt, now is the perfect moment to reach out for more details.

PRODUCT TIMELINE

2013

550 FG Series introduction

2016

First 50.000 km sold worldwide

2020

550 FG becomes standard for the industry

2023

550 UTS introduction



PFX material
RUNNING DRY
APPLICATION



MX material
RUNNING DRY
APPLICATION

Ideal for:

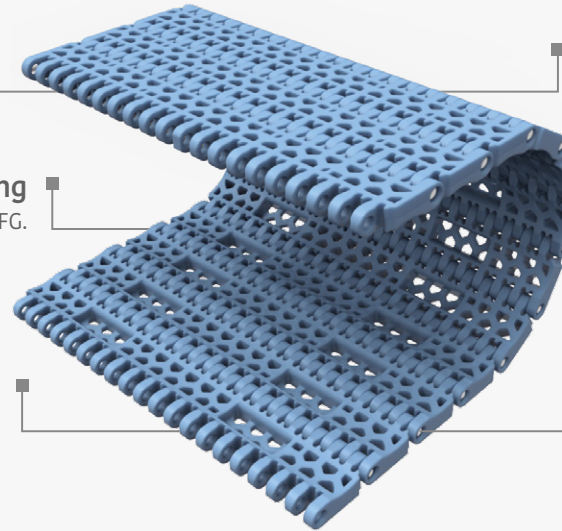


Description and Features

Flat top BENEFITS
contact surface optimization.

+18% Energy saving
compared to previous 550 FG.

+10% Max working load
compared to previous 550 FG.



Flush grid BENEFITS
with self-cleaning system.

25% Open surface
with sliding surface improvement.

Pin-sphere system
for quick maintenance and installation.

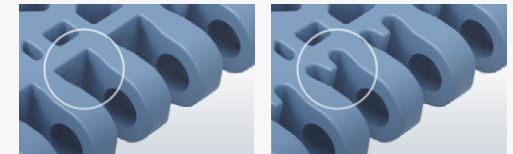
550 Ultimate Top System is a possible alternative to:



Using **550 UTS**, when both Flat top and Flush grid top surface are required:

- ✓ Simplifying your line layout and inventory management*.
- ✓ Saving resources, energy and maintenance time.

Contact surface optimization



550 FG DESIGN

550 UTS DESIGN

+15% product control and stability
compared to previous 550 FG.

General products features

Belt pitch	25,4 mm (1.00")	Increments	85 mm (3.35")
Thickness	8,7 mm (0.34")	Max work load	30.000 N/m

Materials available



* Contact us, our staff is at your disposal for a consultation or a free quotation.

550 UTS *Open Surface 25%*

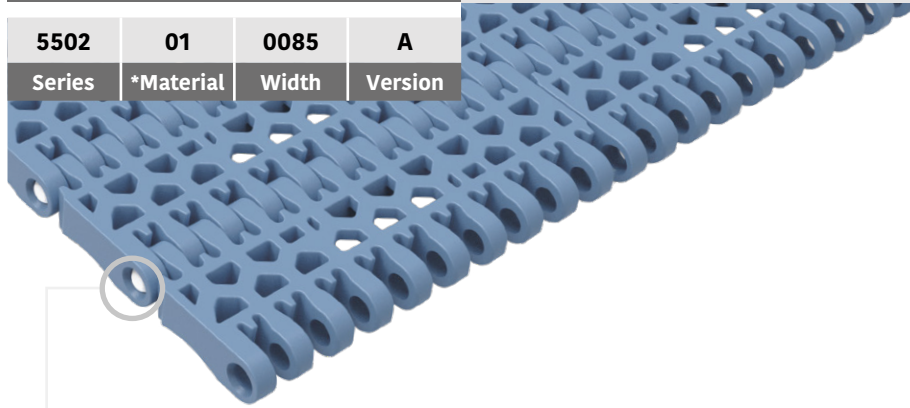
Modular Belt Series 550, H=8,7 M=85

NEW

CODE STRUCTURE GUIDE (Example)

Backflex radius min.: 25 mm

5502	01	0085	A
Series	*Material	Width	Version



Pin Sphere®
AUTOLOCK

- Easier installation
- Quicker maintenance
- 100% interchangeable

*Material

LFA - Code 01
Low friction Acetal

Max w. load: 30000 N/m
Weight: 7,0 kg/m²
Temp. range dry: -40÷80 °C
Temp. range wet: -40÷65 °C
Pin material: PBT white

MX - Code 03
Performance PBT

Max w. load: 24000 N/m
Weight: 6,7 kg/m²
Temp. range dry: -40÷120 °C
Temp. range wet: -40÷60 °C
Pin material: POM grey

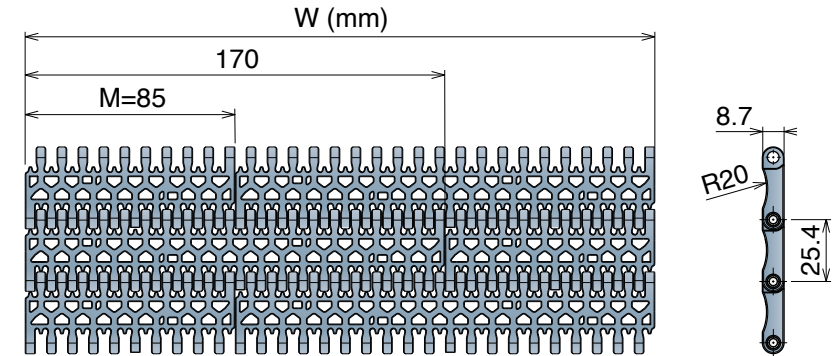
LFB - Code 23
Low friction Acetal

Max w. load: 30000 N/m
Weight: 7,0 kg/m²
Temp. range dry: -40÷80 °C
Temp. range wet: -40÷65 °C
Pin material: PBT white

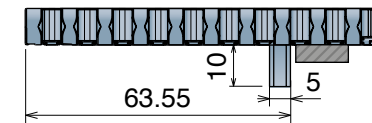
PFX - Code 30
Extra performance PBT

Max w. load: 24000 N/m
Weight: 6,7 kg/m²
Temp. range dry: -40÷120 °C
Temp. range wet: -40÷60 °C
Pin material: POM grey

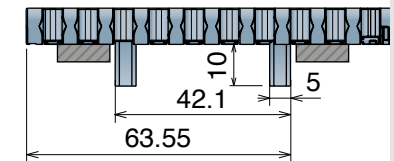
Version A - Standard



Version B - 1 Positioner



Version C - 2 Positioner



Series	Material	Width	Version
5502	*	0085	A / B / C
5502	*	0170	A / B / C
5502	*	0255	A / B / C
5502	*	0340	A / B / C
5502	*	0425	A / B / C
5502	*	0510	A / B / C
5502	*	0595	A / B / C
5502	*	0680	A / B / C
5502	*	0765	A / B / C

Series	Material	Width	Version
5502	*	0850	A / B / C
5502	*	0935	A / B / C
5502	*	1020	A / B / C
5502	*	1105	A / B / C
5502	*	1190	A / B / C
5502	*	1275	A / B / C
5502	*	1360	A / B / C
5502	*	1445	A / B / C
5502	*	1530	A / B / C

550 UTS One track belt Open Surface 25%

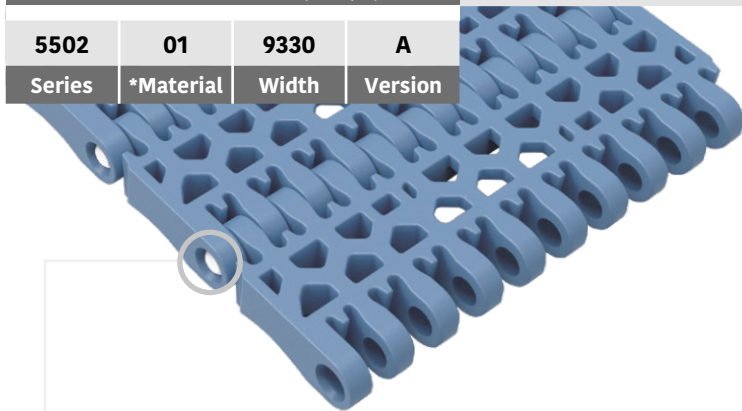
Modular Belt Series 550, H=8,7 M=85 - K330

NEW

CODE STRUCTURE GUIDE (Example)

Backflex radius min.: 25 mm

5502	01	9330	A
Series	*Material	Width	Version



Pin Sphere[®]
AUTO LOCK

- Easier installation
- Quicker maintenance
- 100% interchangeable

*Material

LFA - Code 01
Low friction Acetal

Max w. load: 2500 N
Weight: 7,0 kg/m²
Temp. range dry: -40÷80 °C
Temp. range wet: -40÷65 °C
Pin material: PBT white

MX - Code 03
Performance PBT

Max w. load: 2000 N
Weight: 6,7 kg/m²
Temp. range dry: -40÷120 °C
Temp. range wet: -40÷60 °C
Pin material: POM grey

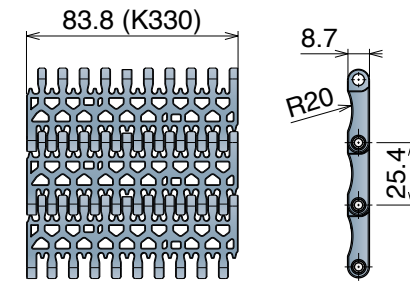
LFB - Code 23
Low friction Acetal

Max w. load: 2500 N
Weight: 7,0 kg/m²
Temp. range dry: -40÷80 °C
Temp. range wet: -40÷65 °C
Pin material: PBT white

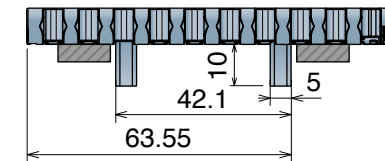
PFX - Code 30
Extra performance PBT

Max w. load: 2000 N
Weight: 6,7 kg/m²
Temp. range dry: -40÷120 °C
Temp. range wet: -40÷60 °C
Pin material: POM grey

Version A - Standard



Version C - 2 Positioner



Series	Material	Width	Version
5502	*	9330	A / C

550 UTS and One track belt
MOVEX TOOL

The specific tool for belts developed to facilitate belt assembly and disassembly.

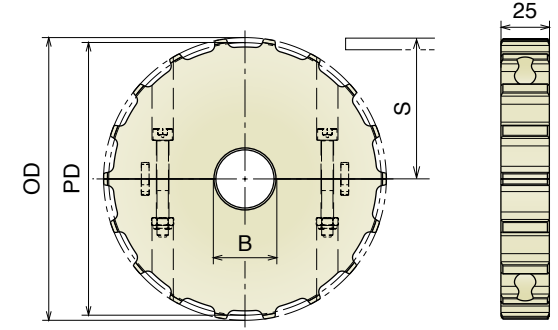
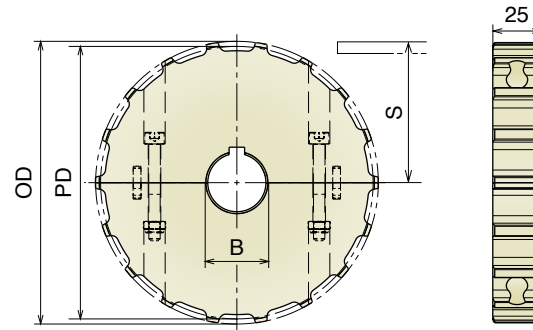
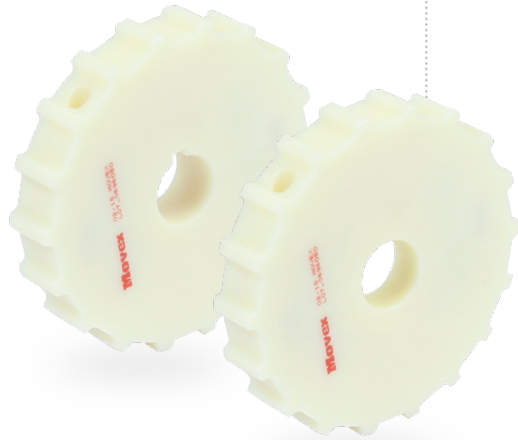


Article Nr. **29970**

Movex

Sprockets available

- Optimized hygenic
- Quick replacement



550 Series

Split drive sprocket and
Split idler sprocket.

Machined

Dimensions expressed in millimeter

Art-Nr.	Z-	Bore	PD	OD	S
152101	14	25	114,1	114	52,7
152102		30			
152103		35			
152104		40			
152106		25* 25	□		
152107		30* 30	□		
152108		40* 40	□		
152201	16	25	130,2	130	60,7
152202		30			
152203		35			
152204		40			
152206		25* 25	□		
152207		30* 30	□		
152208		40* 40	□		
152301	18	25	146,3	146	68,8
152302		30			
152303		35			
152304		40			
152306		25* 25	□		
152307		30* 30	□		
152308		40* 40	□		
152401	20	25	162,4	162	76,8
152402		30			
152403		35			
152404		40			
152406		25* 25	□		
152407		30* 30	□		
152408		40* 40	□		

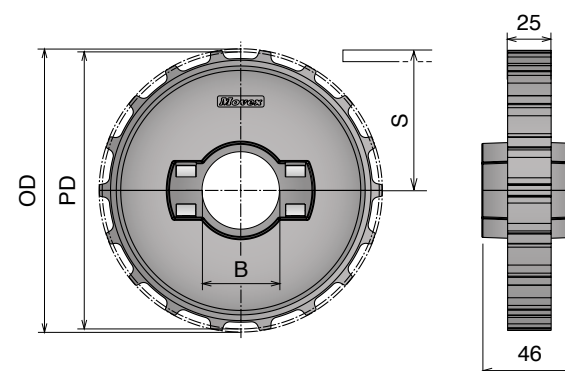
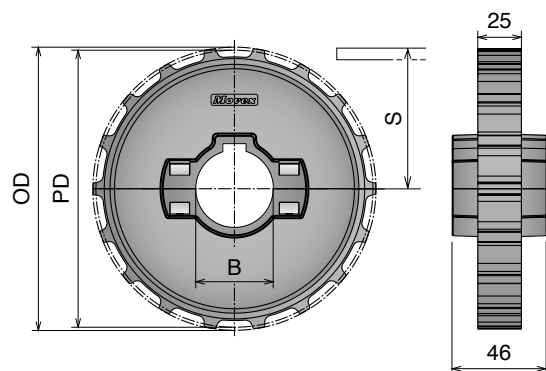
Art-Nr.	Z-	Bore	PD	OD	S
152150	14	18*	114,1	114	52,7
152151		25			
152152		30			
152153		35			
152154		40			
152250	16	18*	130,2	130	60,7
152251		25			
152252		30			
152253		35			
152254		40			
152350	18	18*	146,3	146	68,8
152351		25			
152352		30			
152353		35			
152354		40			
152450	20	18*	162,4	162	76,8
152451		25			
152452		30			
152453		35			
152454		40			

*Plain Bore

Material: Polyamide
Screws: Stainless steel Nuts: zinc plated steel

Sprockets available

- Easy clean and installation
- Heavy duty design



Art-Nr.	Z-	Bore	PD	OD	S
152501	14	25	114,1	114	52,7
152502		30			
152503		35			
152504		40			
152506		25* 25	□		
152507		30* 30	□		
152508		40* 40	□		
152601	16	25	130,2	130	60,7
152602		30			
152603		35			
152604		40			
152606		25* 25	□		
152607		30* 30	□		
152608		40* 40	□		
152701	18	25	146,3	146	68,8
152702		30			
152703		35			
152704		40			
152706		25* 25	□		
152707		30* 30	□		
152708		40* 40	□		
152801	20	25	162,4	162	76,8
152802		30			
152803		35			
152804		40			
152806		25* 25	□		
152807		30* 30	□		
152808		40* 40	□		

Art-Nr.	Z-	Bore	PD	OD	S
152551	14	25	114,1	114	52,7
152552		30			
152553		35			
152554		40			
152651	16	25	130,2	130	60,7
152652		30			
152653		35			
152654		40			
152751	18	25	146,3	146	68,8
152752		30			
152753		35			
152754		40			
152851	20	25	162,4	162	76,8
152852		30			
152853		35			
152854		40			

*Plain Bore

⚙️ **Material:** Reinforced polyamide
Screws: Stainless steel Nuts: zinc plated steel

550 Series

Split drive sprocket and
Split idler sprocket.

Molded

Dimensions expressed in millimeter

Movex[®]

Movex worldwide

Movex GmbH

P +49-6204-9375-0

Movex Brasil Ltda

P +55-15-3141-2550

Movex France

P +39-335-8085980

Movex AG India

P +91-120-4159660-62

Movex UK Ltd.

P +44-77-20678442

Movex Nederland

P +31-630-994850

Movex USA Inc.

P +1-877-401-5377

Movex SA de CV

P +52-1-331845818

Movex CIS Countries

P +39-348-7769760

Movex S.p.A. a socio unico

Headquarters

Viale Industria, 22 - 24060

Castelli Calepio (BG) Italy

Logistics center

Via Repubblica, 21/E - 24060

Castelli Calepio (BG) Italy

P +39 035 8359711 | F +39 035 4420873 | info@movexii.com | www.movexii.com

Follow us   

