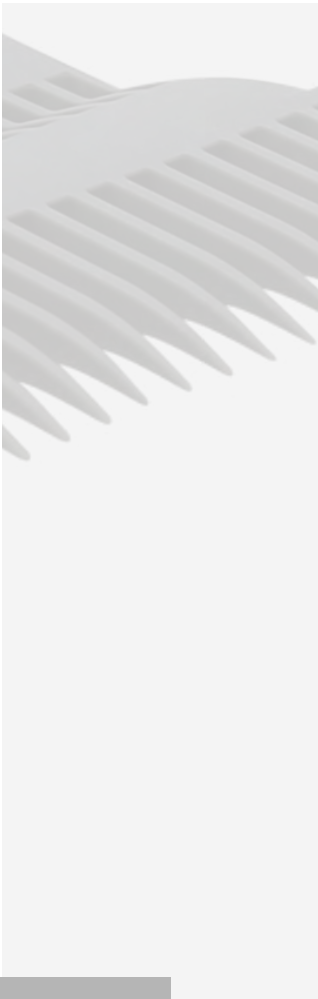


#MovexWorld



# Combs

COMPLETE RANGE

INCLUDES NEW PRODUCTS NOW AVAILABLE.



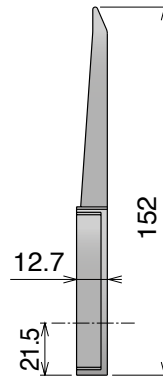
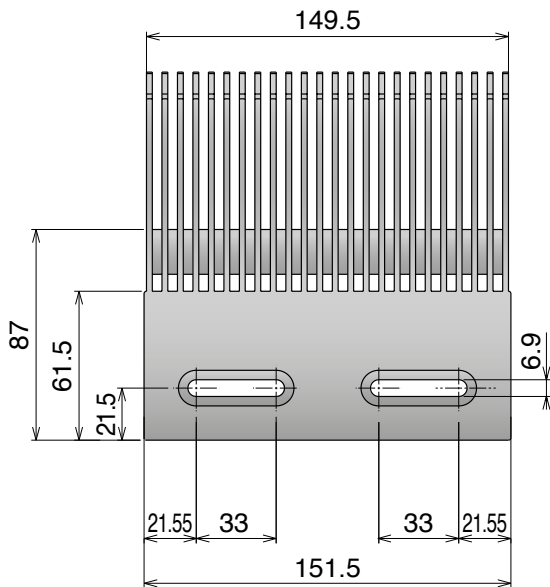
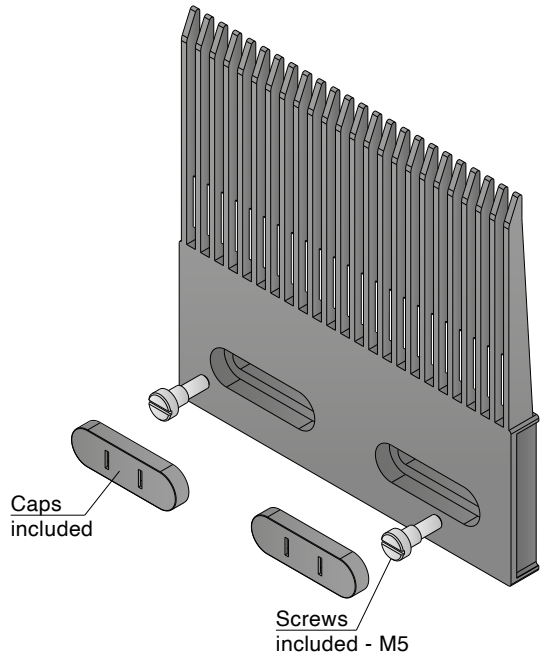
**Movex**<sup>®</sup>  
PRODUCT NEWS



# Traditional comb

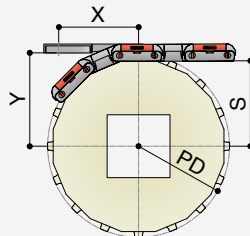
TYPE A

Art-Nr. **38901**



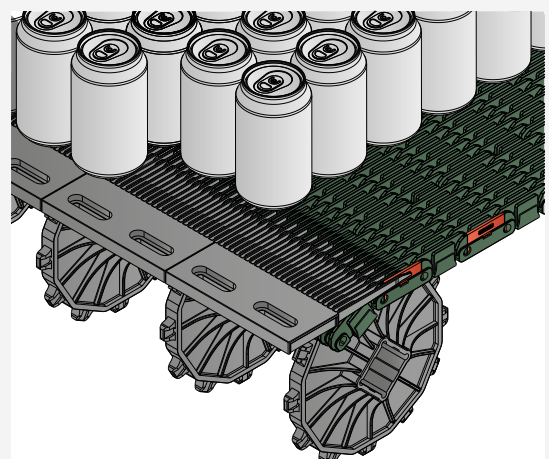
## Combs integration with sprockets

see table below for dimensions



Z-	PD (mm)	S (mm)	X (mm)	Y (mm)
10	164,4	74,2	114,3	85,5
12	196,3	90,1	114,3	101,4
13	212,3	98,1	114,3	109,4
16	260,4	122,2	114,3	133,5

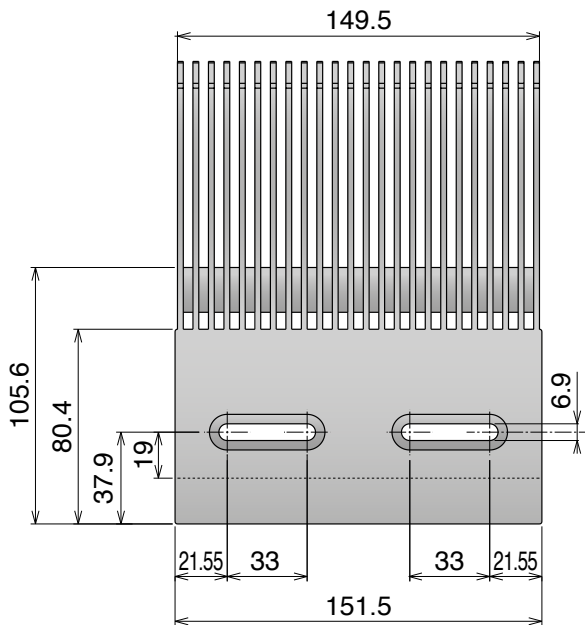
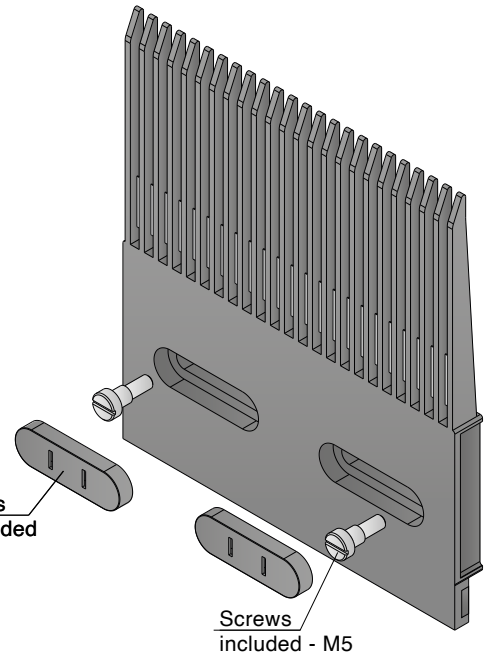
## Example of application



# Traditional comb

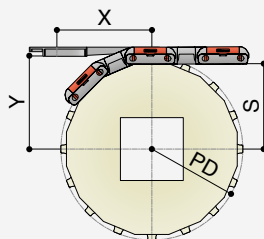
TYPE B

Art-Nr. **38902**



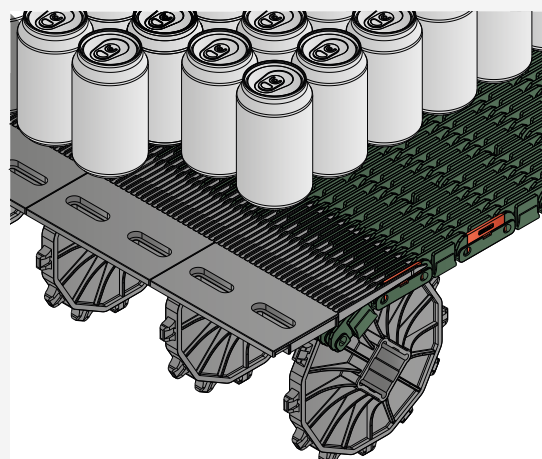
## Combs integration with sprockets

see table below for dimensions



Z-	PD (mm)	S (mm)	X (mm)	Y (mm)
10	164,4	74,2	135,9	85,5
12	196,3	90,1	135,9	101,4
13	212,3	98,1	135,9	109,4
16	260,4	122,2	135,9	133,5

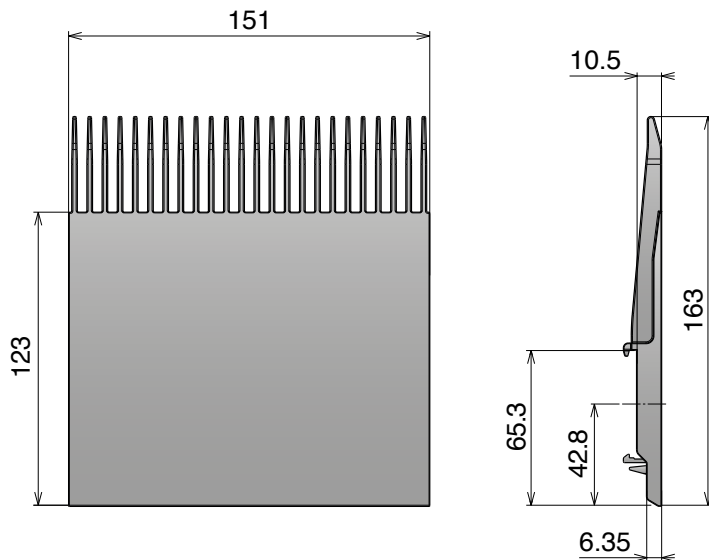
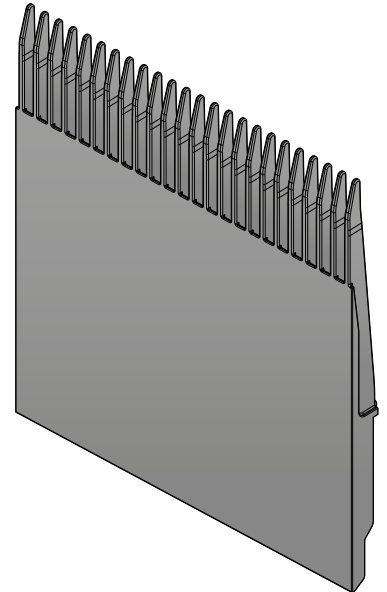
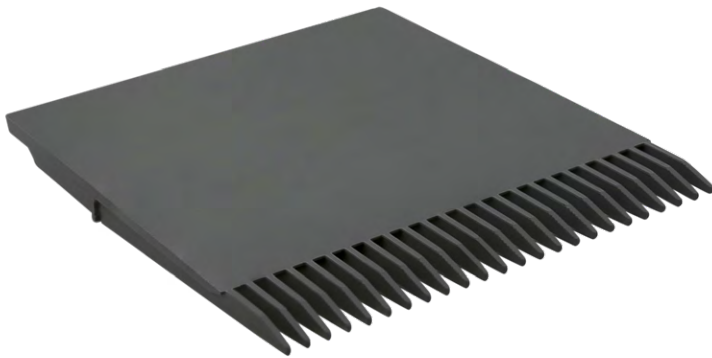
## Example of application



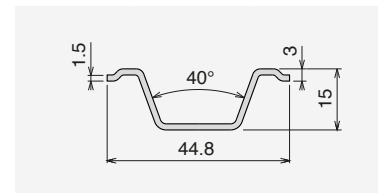
# Quick-link comb

**NEW**

Art-Nr. **38951**



Used with Stainless steel profile

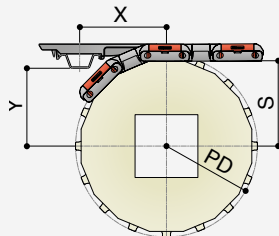


Art-Nr.	Availability	Supply
<b>38960C</b>	Stock item	3 m bars
<b>38960</b>	On request	6 m bars

This profile has to be ordered separately.

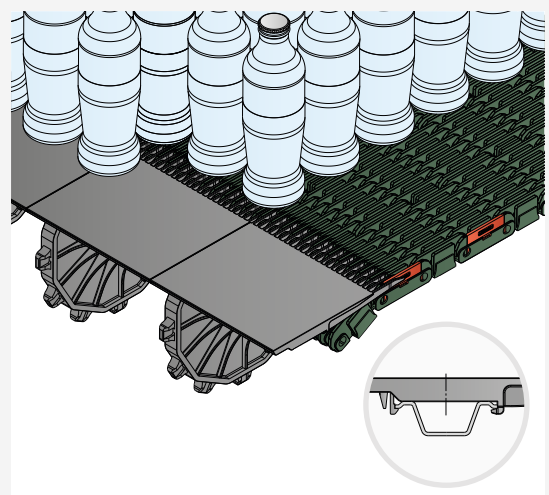
## Combs integration with sprockets

see table below for dimensions



Z-	PD (mm)	S (mm)	X (mm)	Y (mm)
10	164,4	74,2	122,0	72,7
12	196,3	90,1	122,0	88,6
13	212,3	98,1	122,0	96,6
16	260,4	122,2	122,0	120,7

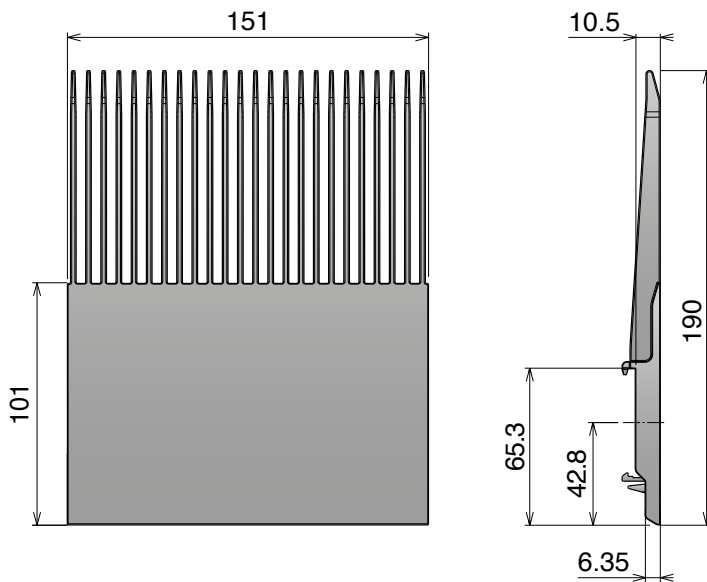
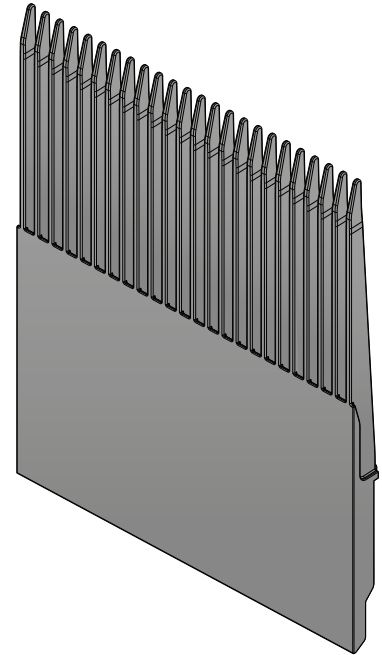
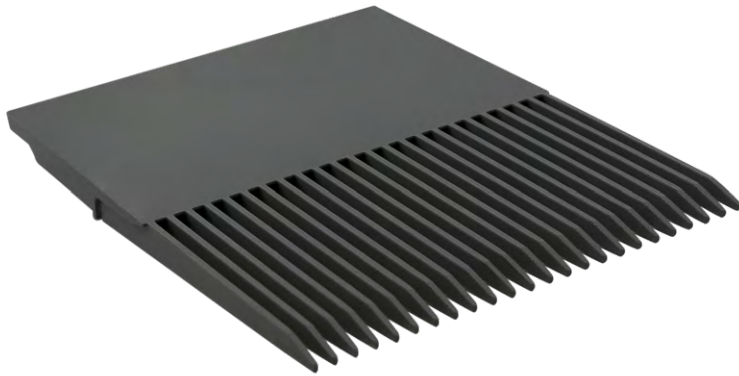
## Example of application



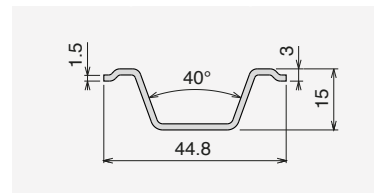
# Quick-link comb

**NEW**

Art-Nr. **38952**



Used with Stainless steel profile

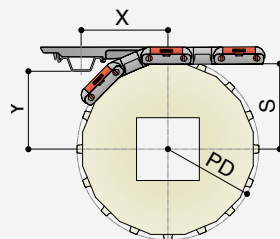


Art-Nr.	Availability	Supply
<b>38960C</b>	Stock item	3 m bars
<b>38960</b>	On request	6 m bars

This profile has to be ordered separately.

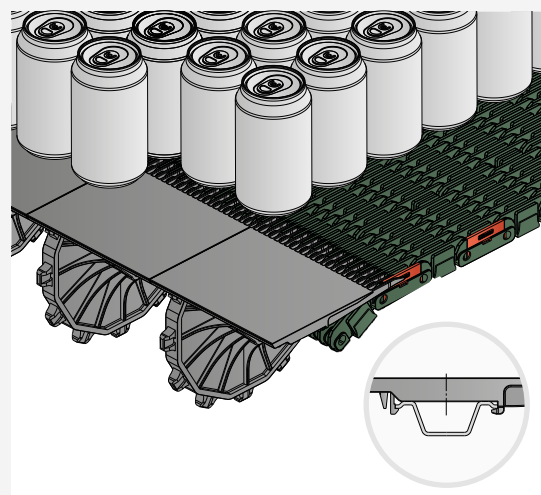
## Combs integration with sprockets

see table below for dimensions



Z-	PD (mm)	S (mm)	X (mm)	Y (mm)
10	164,4	74,2	110,0	72,7
12	196,3	90,1	114,0	88,6
13	212,3	98,1	116,0	96,6
16	260,4	122,2	122,0	120,7

## Example of application



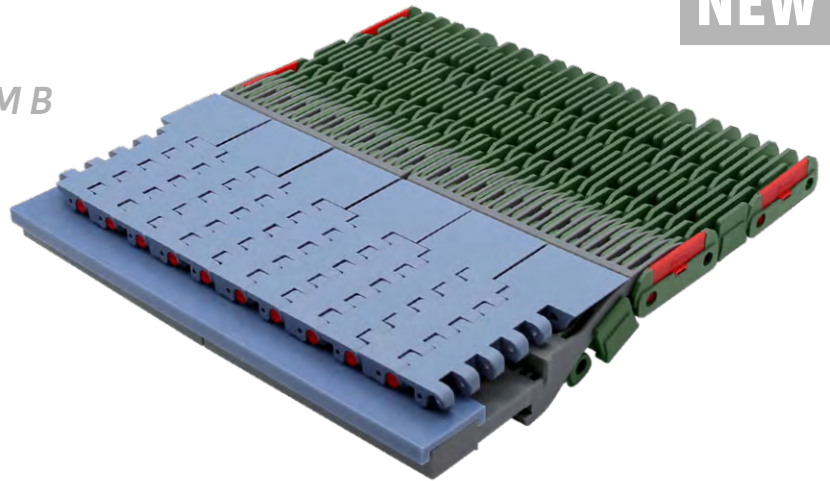


# AT-Comb

NEW

## ACTIVE TRANSFER COMB

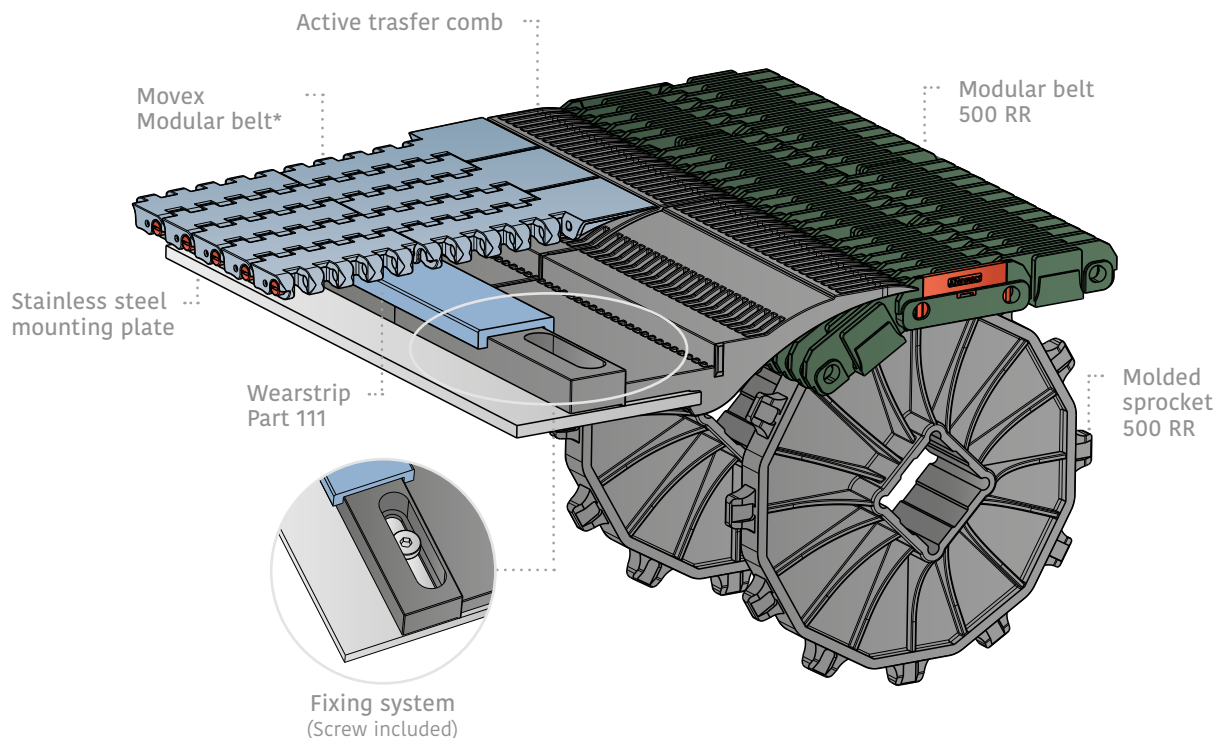
The new solution made to get a smooth transfer with raised rib belt.



Ideal for cans, PET bottles and glass bottles in pasteurizer, warmer or cooler conveyors, the **Movex AT-Comb** (Active Transfer Comb), is ideal to optimize the product transfer stability, guaranteeing a smoother transfer, so product tipping is avoided.

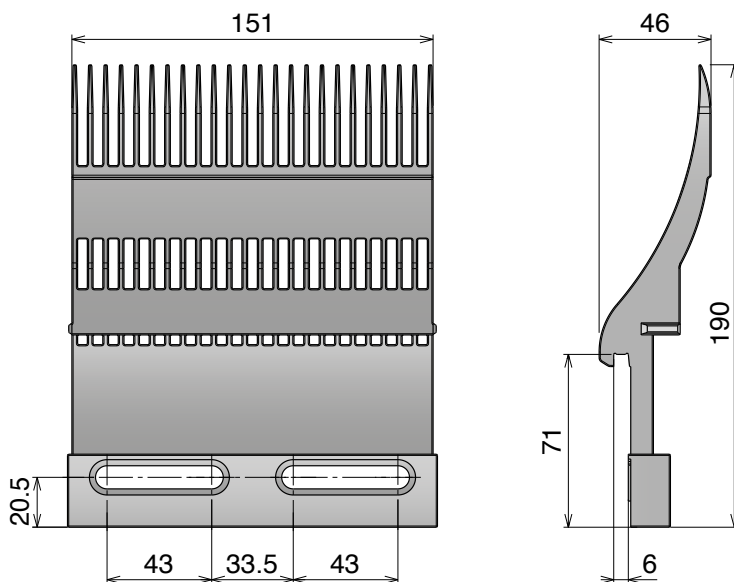
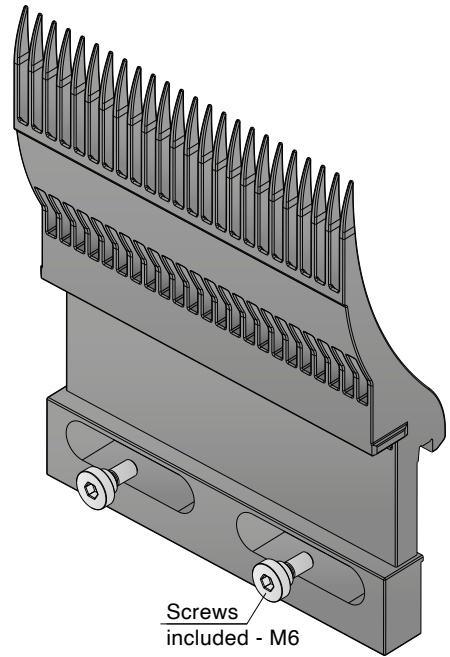
The shape of the ribs is optimized to perfectly fit with the Raiser Rib pasteurizer belts, guaranteeing high strength and longer wear life; moreover, the combination of the **AT-Comb** with the Movex half inch thickness belts (modular belts or chain-belt) and BluLub wear strip part 111, offer the best solution.

The **AT-Comb**, in combination with the Movex 551 FTT (version equipped with transfer wing), avoid the use of traditional dead plates, reduce the load at infeed/outfeed conveyor areas, offer a better accumulation stability over the entire conveyor and, at the end, improve the efficiency of the line.

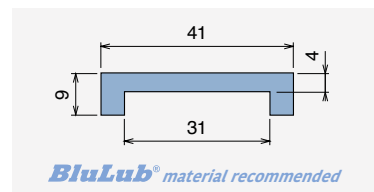


\* AT-Comb can be used with any of Movex 551 FTT or 551 FTT K85 or in combination with any of 12.7mm height belts/chains like 552/261/600/556 series

Art-Nr. **38971**



Used with U-profile Part. 111

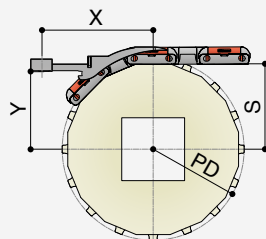


Art-Nr.	Availability	Supply
<b>11101BC</b>	Stock item	3 m bars
<b>11101B</b>	On request	6 m bars
<b>11101B-30</b>	On request	30 m coils

This profile has to be ordered separately. Other materials available on catalog.

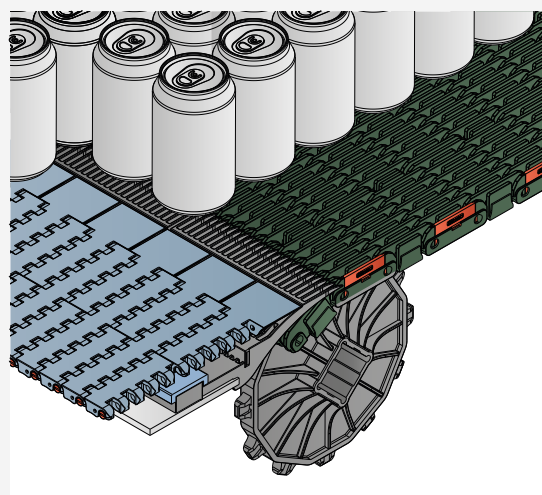
## Combs integration with sprockets

see table below for dimensions



Z-	PD (mm)	S (mm)	X (mm)	Y (mm)
10	164,4	74,2	166,5	64,2
12	196,3	90,1	167,5	80,1
13	212,3	98,1	168,5	88,1
16	260,4	122,2	169,5	112,2

## Example of application



## **Movex S.p.A. a socio unico**

### **Headquarters**

Viale Industria, 22  
24060 Castelli Calepio (BG)

### **Logistics Center**

Via della Repubblica, 21/E  
24060 Castelli Calepio (BG)

P +39 035 8359711  
info@movexii.com  
www.movexii.com

## **Movex worldwide**

### **Movex GmbH**

P +49-6204-9375-0

### **Movex Brasil Ltda**

P +55-15-3141-2550

### **Movex France**

P +39-335-8085980

### **Movex AG India**

P +91-120-4159660-62

### **Movex Russia**

P +7 (495) 925-88-56

### **Movex UK Ltd.**

P +44-77-20678442

### **Movex Nederland**

P +31-630-994850

### **Movex USA Inc.**

P +1-919-274-5477

### **Movex SA de CV**

P +52-1-3318458187

### **Movex CIS countries**

P +39-348-7769760

**movexii.com**