



Sideflexing chains

***MF PRO***

*Series*

***Movex***<sup>®</sup>

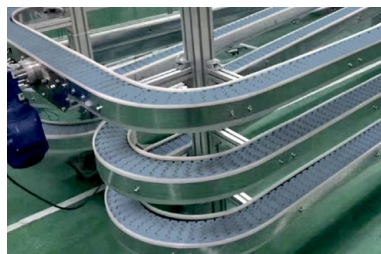
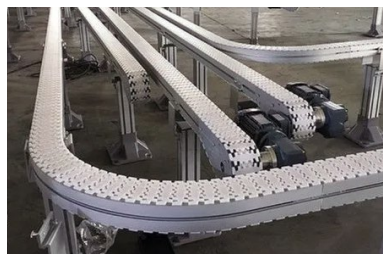
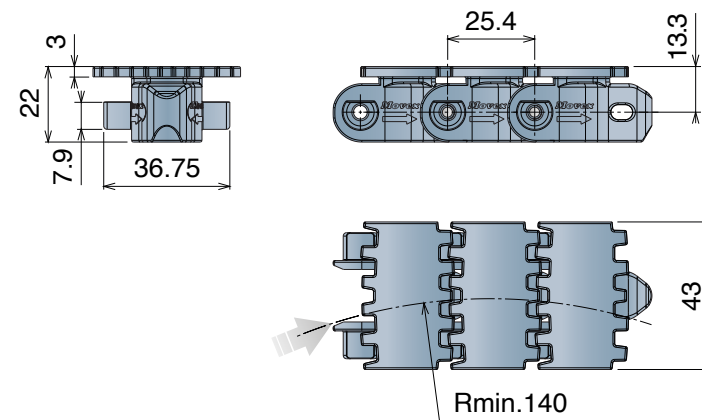
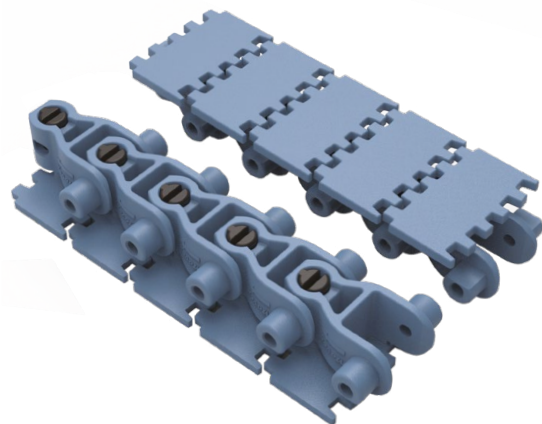
DATA SHEET

# 43 MFS PRO

Sideflexing plastic chain

**NEW**

Pins: Stainless Steel | Backflex radius min.: 130 mm



## Advantages

- Market compatibility
- Optimized shape
- Increased max working load +15%
- Coefficient of friction optimization
- Short elongation (MX Pivot)

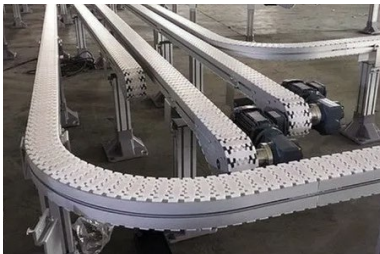
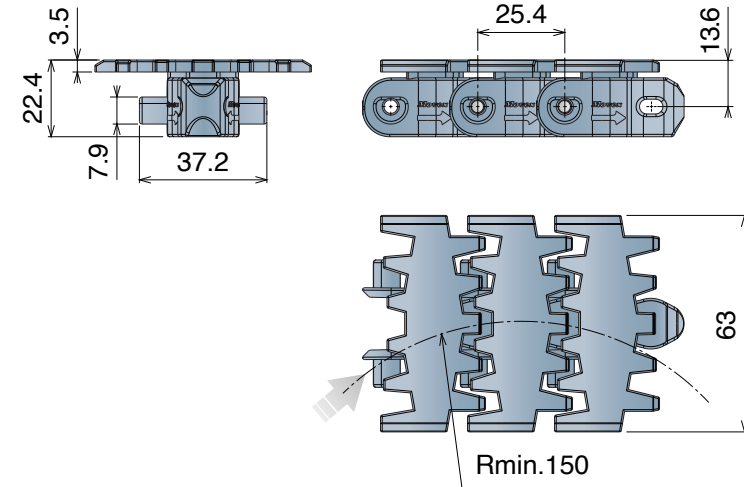
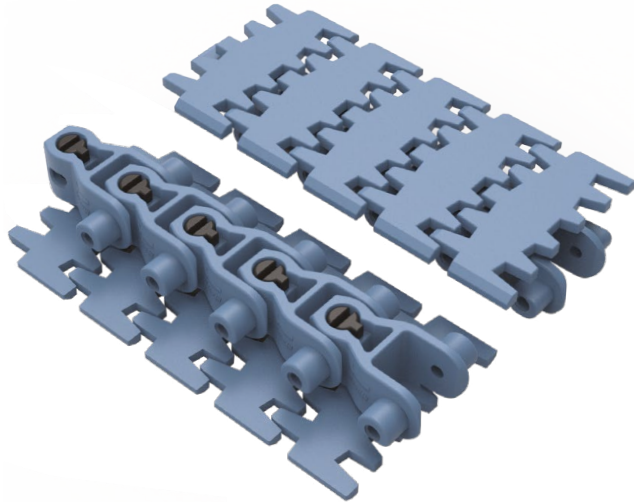
Article-Nr.	Ref.	Plate Width mm	Weight kg/m	Pitch mm	Radius min. mm	Links	Max working load N	Chain material	Pivot material
<b>11460400</b>	LFA 43 MFS	43	0,511	25,4	140	5.004 m (197 links)	2300	<b>LFA</b>	<b>MX</b>
<b>11460000</b>	LFN 43 MFS	43	0,511	25,4	140	5.004 m (197 links)	2300	<b>LFN</b>	<b>MX White</b>

# 63 MFL PRO

Sideflexing plastic chain

**NEW**

Pins: Stainless Steel | Backflex radius min.: 110 mm



## Advantages

- Market compatibility
- Optimized shape
- Increased max working load +15%
- High chemical resistance
- Quick maintenance
- Short elongation (MX Pivot)
- Coefficient of friction optimization

Article-Nr.	Ref.	Plate Width mm	Weight kg/m	Pitch mm	Radius min. mm	Links	Max working load N	Chain material	Pivot material
<b>11460401</b>	LFA 63 MFL	63	0,737	25,4	150	5.004 m (197 links)	2400	<b>LFA</b>	<b>MX</b>
<b>11460001</b>	LFN 63 MFL	63	0,737	25,4	150	5.004 m (197 links)	2400	<b>LFN</b>	<b>MX White</b>

63 MFL chain can not be used with 63 MF chain.

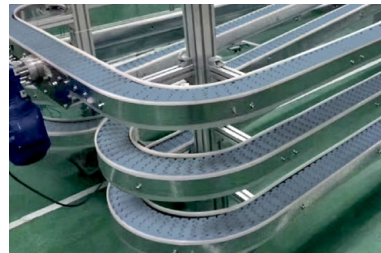
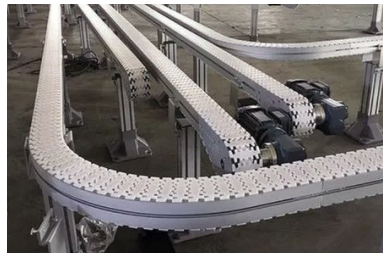
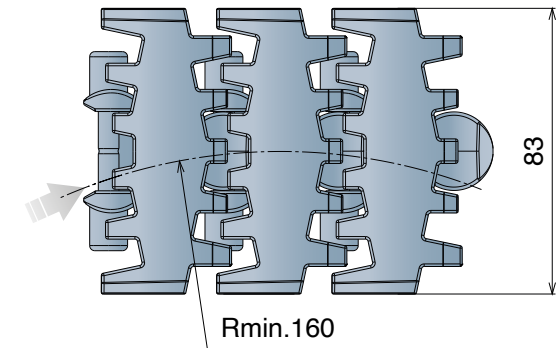
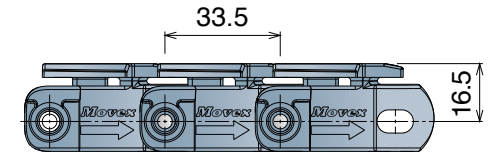
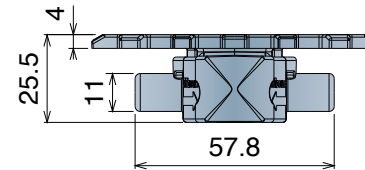
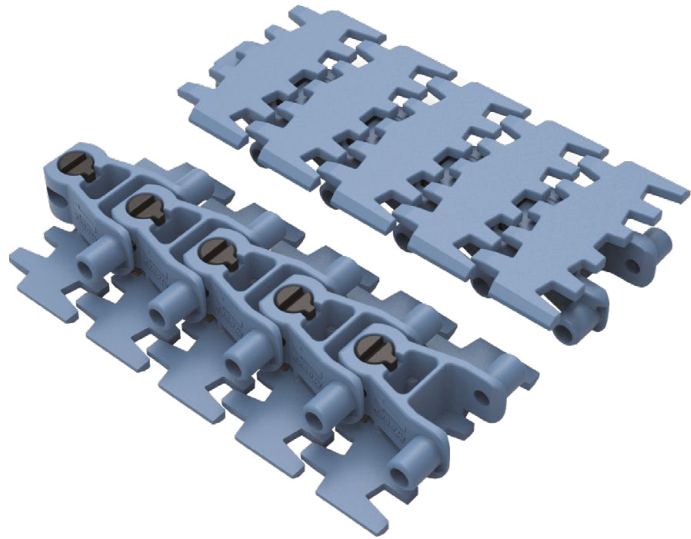
**Movex**

# 83 MFM PRO

Sideflexing plastic chain

**NEW**

Pins: Stainless Steel | Backflex radius min.: 75 mm



## Advantages

- Market compatibility
- Optimized shape
- Increased max working load +15%
- Coefficient of friction optimization
- Short elongation (MX Pivot)

Article-Nr.	Ref.	Plate Width mm	Weight kg/m	Pitch mm	Radius min. mm	Links	Max working load N	Chain material	Pivot material
11460402	LFA 83 MFM	83	0,955	33,5	160	5.025 m (150 links)	2400	LFA	MX
11460002	LFN 83 MFM	83	0,955	33,5	160	5.025 m (150 links)	2400	LFN	MX White

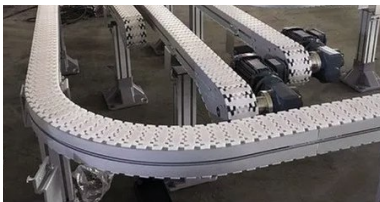
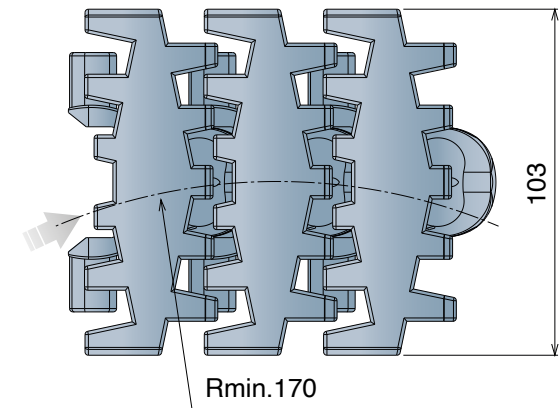
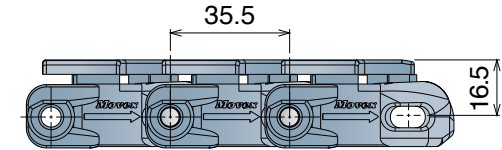
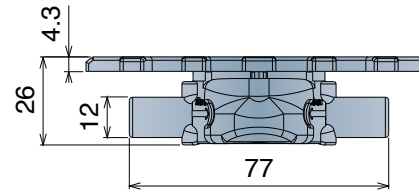
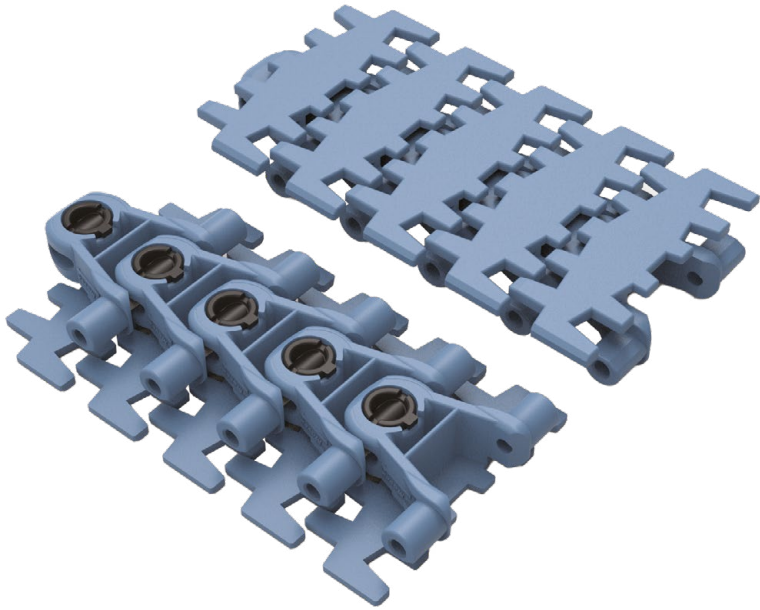


# 103 MFH PRO

Sideflexing plastic chain

**NEW**

Pins: Stainless Steel | Backflex radius min.: 100 mm



## Advantages

- Market compatibility • Optimized shape • Increased max working load +15%
- Coefficient of friction optimization • Short elongation (MX Pivot)

Article-Nr.	Ref.	Plate Width mm	Weight kg/m	Pitch mm	Radius min. mm	Links	Max working load N	Chain material	Pivot material
<b>11460403</b>	LFA 103 MFH	103	1,648	35,5	170	5.041 m (142 links)	2400	<b>LFA</b>	<b>MX</b>
<b>11460003</b>	LFN 103 MFH	103	1,648	35,5	170	5.041 m (142 links)	2400	<b>LFN</b>	<b>MX White</b>

103 MFH chain can not be used with 103 MF chain.

**Movex**

# 43 MFS PRO-63 MFL PRO *Dedicated Sprockets*

**NEW**

Suitable for 43 MFS Pro - 63 MFL Pro



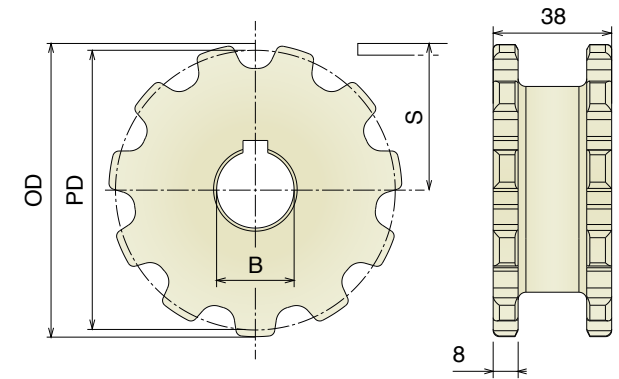
Drive and Idler sprocket.  
Machined

**Material:** Polyamide  
Screws: Stainless steel Nuts: Zinc plated steel

Dimensions expressed in millimeter

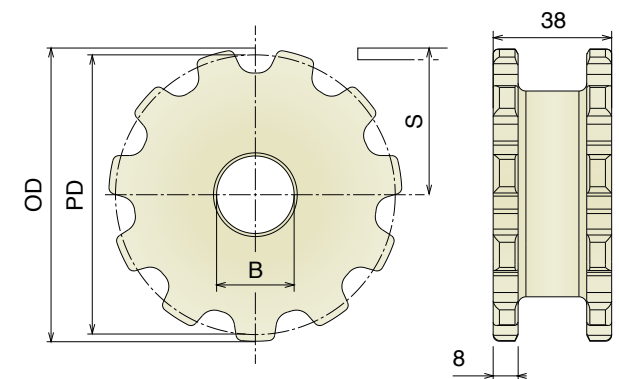
## Drive Machined sprockets

Art-Nr.	Z-	Bore	PD	OD	S
<b>57700</b>	11	20	90,2	94,5	56,5
<b>57701</b>		25			
<b>57702</b>		30			
<b>57703</b>		35			
<b>57704</b>		40			



## Idler Machined sprockets

Art-Nr.	Z-	Bore	PD	OD	S
<b>57750</b>	11	20	90,2	94,5	56,5
<b>57751</b>		25			
<b>57752</b>		30			
<b>57753</b>		35			
<b>57754</b>		40			



# 83 MFM PRO *Dedicated Sprockets*

Suitable for 83 MFM Pro



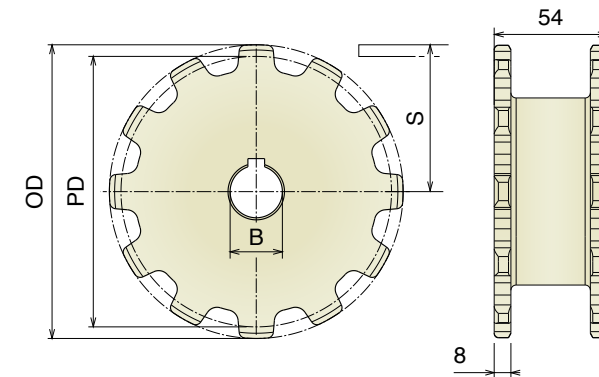
Drive and Idler sprocket.  
Machined

Material: Polyamide  
Screws: Stainless steel Nuts: Zinc plated steel

Dimensions expressed in millimeter

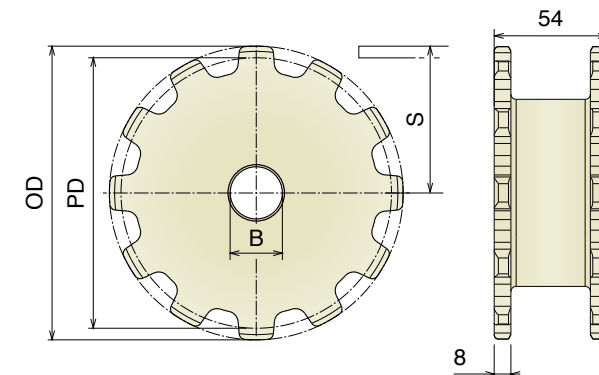
## Drive Machined sprockets

Art-Nr.	Z-	Bore	PD	OD	S
<b>58901</b>	9	25	97,9	108,5	62
<b>58902</b>		30			
<b>58903</b>		35			
<b>58904</b>		40			
<b>58801</b>	12	25	129,4	140	77,7
<b>58802</b>		30			
<b>58803</b>		35			
<b>58804</b>		40			



## Idler Machined sprockets

Art-Nr.	Z-	Bore	PD	OD	S
<b>58950</b>	9	18*	97,9	108,5	62
<b>58951</b>		25			
<b>58952</b>		30			
<b>58953</b>		35			
<b>58954</b>		40			
<b>58850</b>	12	18*	129,4	140	77,7
<b>58851</b>		25			
<b>58852</b>		30			
<b>58853</b>		35			
<b>58854</b>		40			



\*Plain Bore

# 103 MFH PRO *Dedicated Sprockets*

**NEW**

Suitable for 103 MFH Pro



Drive and Idler sprocket.  
Machined

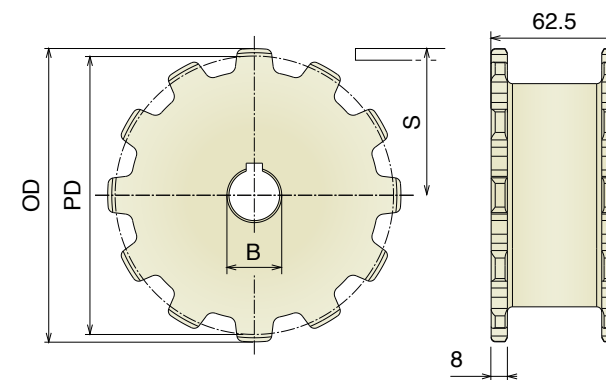
Material: Polyamide  
Screws: Stainless steel Nuts: Zinc plated steel

Dimensions expressed in millimeter

## Drive

Machined sprockets

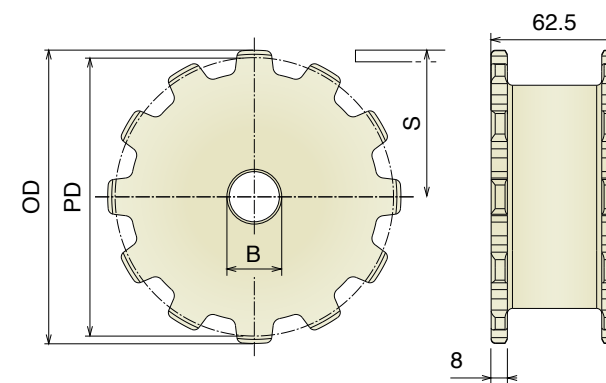
Art-Nr.	Z-	Bore	PD	OD	S
<b>57801</b>	12	25	137,2	144,5	82,5
<b>57802</b>		30			
<b>57803</b>		35			
<b>57804</b>		40			



## Idler

Machined sprockets

Art-Nr.	Z-	Bore	PD	OD	S
<b>57851</b>	12	25	137,2	144,5	82,5
<b>57852</b>		30			
<b>57853</b>		35			
<b>57854</b>		40			





# MF PRO Series *Turning disks*

Suitable for 43 MFS Pro - 63 MFL Pro - 83 MFM Pro - 103 MFH Pro | Bearings included



*Turning disks.*  
**Molded**

**Material:** Polyethylene UHMW-PE

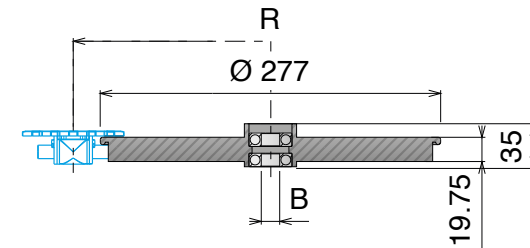
Dimensions expressed in millimeter

## Drive

Turning disk, molded  
Carry side

 **OPEN VERSION**  
ROUNDBORE

Art-Nr.	Bore
<b>170000</b>	15



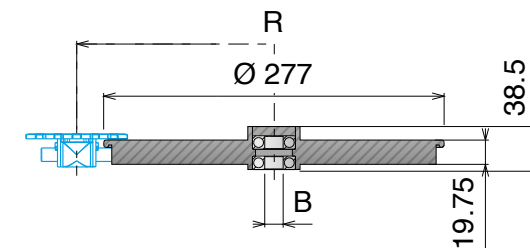
R: 43 MFS Pro 150 63 MFL Pro 150  
83 MFM Pro 160 103 MFH Pro 170

## Drive

Turning disk, molded  
Carry side

 **CLOSED VERSION**  
ROUNDBORE

Art-Nr.	Bore
<b>170000C</b>	15



R: 43 MFS Pro 150 63 MFL Pro 150  
83 MFM Pro 160 103 MFH Pro 170

***Movex***<sup>®</sup>

[www.movexii.com](http://www.movexii.com)

DATA SHEET