

Straight running chains

# ***820 Series***

*Plastic chains*

***Movex***<sup>®</sup>

PRODUCT UPDATE

# 820 Series

PRODUCT UPDATE



Although the 820 series chain is now a commodity product, Movex created an optimized version in which the gap between the links is 45% lower and the contact surface is increased up to a maximum of 15%: these two features help to improve the product stability.

The new design, already available, will replace the current one and all part numbers will remain unchanged, since it is completely interchangeable and connectable with the current one.

- ✓ Improved product stability
- ✓ Minimized open gap
- ✓ Increased sliding surface
- ✓ Same backflex radius

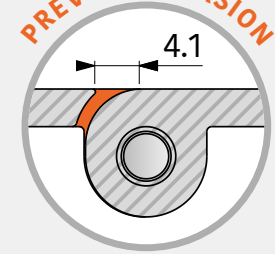
Improved  
Design

## Version Comparison

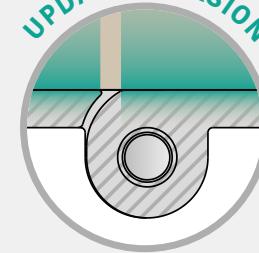
PREVIOUS VERSION



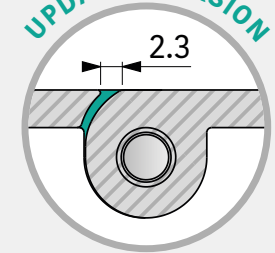
PREVIOUS VERSION



UPDATED VERSION



UPDATED VERSION



+15%

CONTACT  
SURFACE

-45%

OPEN  
GAP

# 820 FT *Straight running chain*

**Improved Design**

+15%

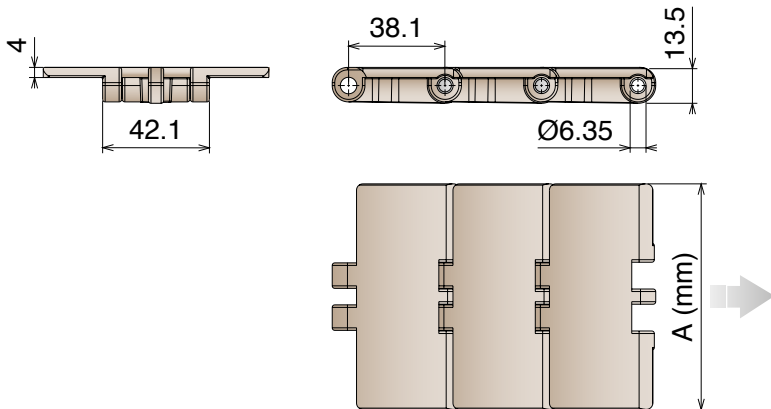
CONTACT SURFACE

-45%

OPEN GAP

Delivery: **Easy** **Standard**

Pins: Stainless Steel | Backflex radius min.: 50 mm



Article-Nr.	Ref.	A (Plate Width) mm	Weight kg/m	Max working load N	Material
11010102	LF 820 K325	82,5	0,89	1625	LF
11010103	LF 820 K330	83,8	0,90		
11010104	LF 820 K350	88,9	0,91		
11010114	LF 820 K400	101,6	0,95		
11010105	LF 820 K450	114,3	1,00		
11010106	LF 820 K600	152,4	1,22		
11010107	LF 820 K750	190,5	1,43		
11010302	MX 820 K325	82,5	0,89	1260	MX
11010303	MX 820 K330	83,8	0,90		
11010304	MX 820 K350	88,9	0,91		
11010314	MX 820 K400	101,6	0,95		
11010305	MX 820 K450	114,3	1,00		
11010306	MX 820 K600	152,4	1,22		
11010307	MX 820 K750	190,5	1,43		
11013002	PFX 820 K325	82,5	0,89	1260	PFX
11013003	PFX 820 K330	83,8	0,90		
11013004	PFX 820 K350	88,9	0,91		
11013014	PFX 820 K400	101,6	0,95		
11013005	PFX 820 K450	114,3	1,00		
11013006	PFX 820 K600	152,4	1,22		
11013007	PFX 820 K750	190,5	1,43		

Packaging: 10 feet - 3.048 m - 80 links

**Movex**

# 820 FT *Straight running chain*

**Improved Design**

**+15%**

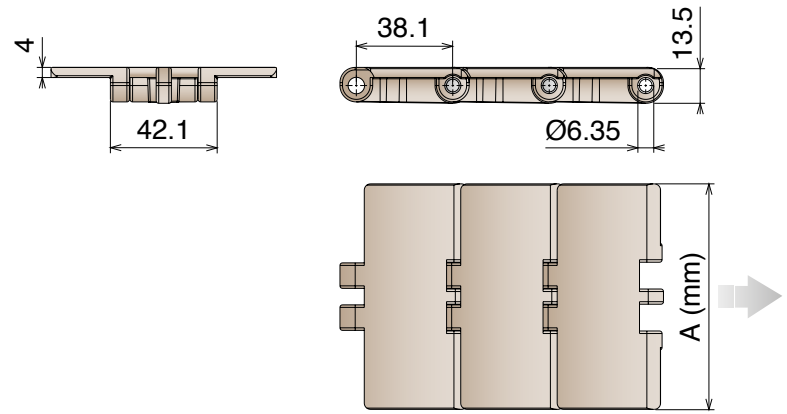
**CONTACT SURFACE**

**-45%**

**OPEN GAP**

Delivery: **Easy** **Standard**

Pins: Stainless Steel | Backflex radius min.: 50 mm



Article-Nr.	Ref.	A (Plate Width) mm	Weight kg/m	Max working load N	Material
<b>11012502</b>	<b>MPX 820 K325</b>	82,5	0,89	1625	<b>MPX</b>
<b>11012503</b>	<b>MPX 820 K330</b>	83,8	0,90		
<b>11012504</b>	<b>MPX 820 K350</b>	88,9	0,91		
<b>11012514</b>	<b>MPX 820 K400</b>	101,6	0,95		
<b>11012505</b>	<b>MPX 820 K450</b>	114,3	1,00		
<b>11012506</b>	<b>MPX 820 K600</b>	152,4	1,22		
<b>11012507</b>	<b>MPX 820 K750</b>	190,5	1,43		
<b>11011602</b>	<b>DKM 820 K325</b>	82,5	0,89	1625	<b>DKM</b>
<b>11011603</b>	<b>DKM 820 K330</b>	83,8	0,90		
<b>11011604</b>	<b>DKM 820 K350</b>	88,9	0,91		
<b>11011614</b>	<b>DKM 820 K400</b>	101,6	0,95		
<b>11011605</b>	<b>DKM 820 K450</b>	114,3	1,00		
<b>11011606</b>	<b>DKM 820 K600</b>	152,4	1,22		
<b>11011607</b>	<b>DKM 820 K750</b>	190,5	1,43		
<b>11011702</b>	<b>MWX 820 K325</b>	82,5	0,89	1625	<b>MWX</b>
<b>11011703</b>	<b>MWX 820 K330</b>	83,8	0,90		
<b>11011704</b>	<b>MWX 820 K350</b>	88,9	0,91		
<b>11011714</b>	<b>MWX 820 K400</b>	101,6	0,95		
<b>11011705</b>	<b>MWX 820 K450</b>	114,3	1,00		
<b>11011706</b>	<b>MWX 820 K600</b>	152,4	1,22		
<b>11011707</b>	<b>MWX 820 K750</b>	190,5	1,43		

Packaging: 10 feet - 3.048 m - 80 links

# 820 FT *Plastic pin*

## Straight running chain

Delivery: **Easy** **Standard** Pins: Reinforced acetal resin | Backflex radius min.: 50 mm

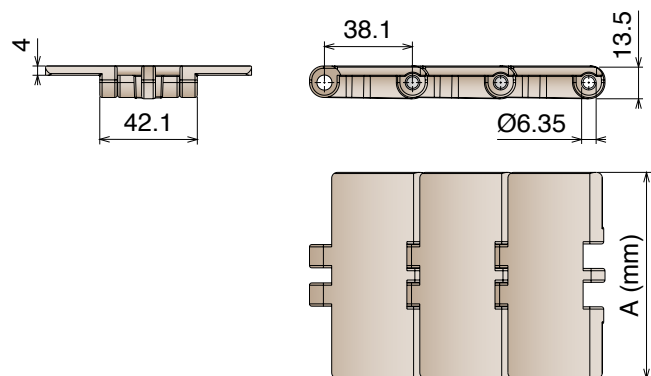


+15%

CONTACT SURFACE

-45%

OPEN GAP



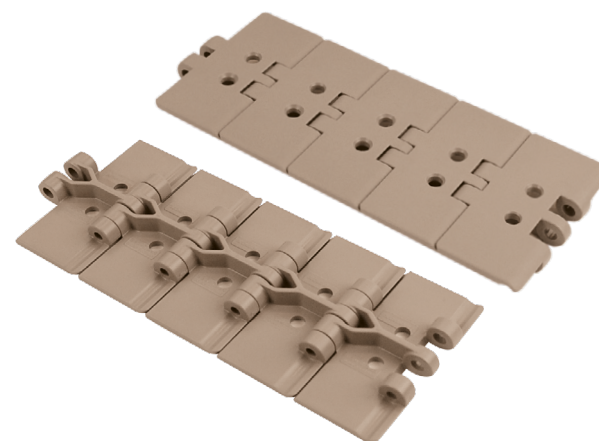
Article-Nr.	Ref.	A (Plate Width) mm	Weight kg/m	Max working load N	Material
11630102	LF 820 K325	82,5	0,69	650	LF
11630105	LF 820 K450	114,3	0,80		

Packaging: 10 feet 3.048 m - 80 links

# 820 V

## Straight running chain

Delivery: **Easy** **Standard** Pins: Stainless Steel | Backflex radius min.: 50 mm

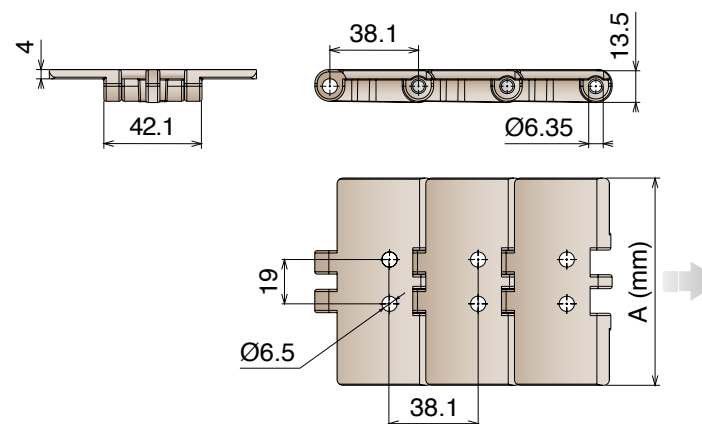


+15%

CONTACT SURFACE

-45%

OPEN GAP



Article-Nr.	Ref.	A (Plate Width) mm	Weight kg/m	Max working load N	Material
11550102	LF 820 V2 K325	82,5	0,89	1625	LF
11550105	LF 820 V2 K450	114,3	1,00		

Packaging: 10 feet - 3.048 m - 80 links

**Movex**

***Movex***<sup>®</sup>

[www.movexii.com](http://www.movexii.com)

PRODUCT UPDATE