

**UCPA**  
**BEARING SUPPORTS**  
 Hygienic series

 IMPERIAL  
 SIZE



**Movex**<sup>®</sup>  
[www.movexii.com](http://www.movexii.com)

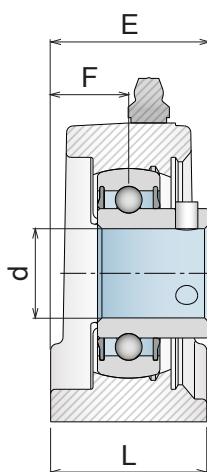
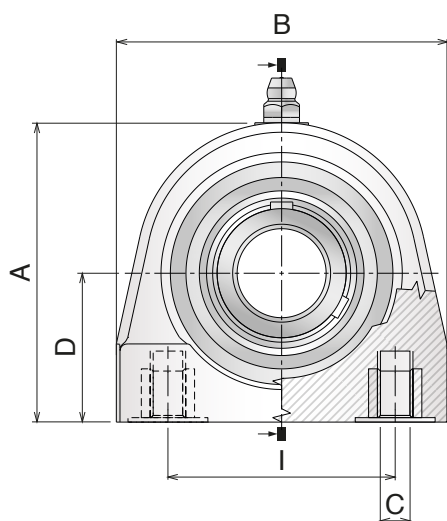


# UCPA Hygienic bearings *Grub screw*

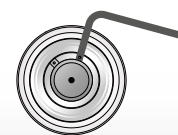
Standard bearings - solid version

## Main features:

- Housing made of additive-enhanced PBT for improved thermal expansion resistance and working temperature
- Stainless steel ball bearing (pre-lubricated)
- Stainless steel mounting hole spacers
- Stainless steel grease nipple
- Washer for grease nipple in PE



## FIXING METHOD



GRUB SCREW

| Stainless Steel    |          |        |      |      |      |     |      |      |      |      | Caps (Accessories) |        |
|--------------------|----------|--------|------|------|------|-----|------|------|------|------|--------------------|--------|
| Article-Number     | Series   | d      | I    | A    | B    | C   | D    | E    | F    | L    | Close              | Open   |
| ○ 85800Q ● 85800BQ | UCPA 204 | 3/4    | 2.00 | 2.62 | 2.91 | M8  | 1.31 | 1.22 | 0.50 | 1.38 | 89801              | 89851Q |
| ○ 85801Q ● 85801BQ | UCPA 205 | 1      | 2.00 | 2.91 | 3.01 | M10 | 1.44 | 1.34 | 0.56 | 1.56 | 89802              | 89852Q |
| ○ 85802Q ● 85802BQ | UCPA 206 | 1-1/4  | 3.00 | 3.33 | 4.02 | M10 | 1.69 | 1.50 | 0.63 | 1.67 | 89803              | 89853Q |
| ○ 85803Q ● 85803BQ | UCPA 207 | 1-7/16 | 3.25 | 3.74 | 4.31 | M10 | 1.87 | 1.69 | 0.69 | 1.87 | 89804              | 89854Q |
| ○ 85804Q ● 85804BQ | UCPA 208 | 1-1/2  | 3.50 | 3.96 | 4.76 | M12 | 1.94 | 1.94 | 0.75 | 1.89 | 89805              | 89855Q |

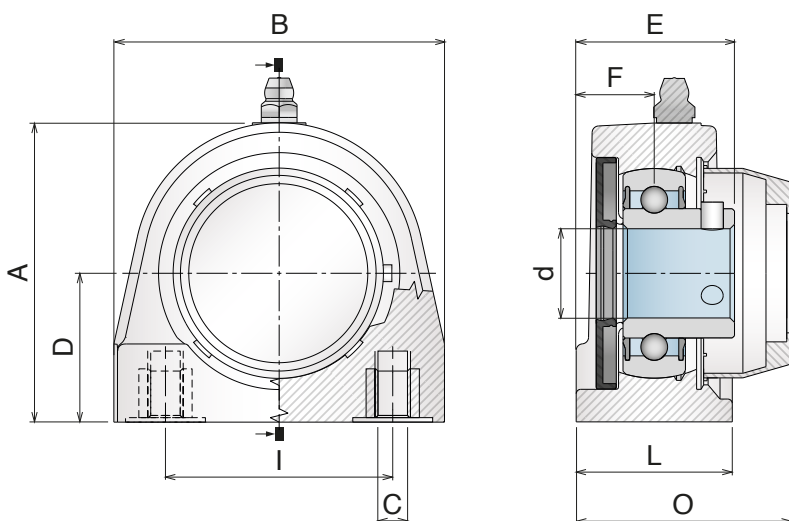
For blue caps, add "B" to the code (e.g.: 89801B)

# UCPA Hygienic bearings *Grub screw*

Watertight bearings - solid version

## Main features:

- Housing made of additive-enhanced PBT for improved thermal expansion resistance and working temperature
- Stainless steel ball bearing (pre-lubricated)
- Stainless steel mounting hole spacers
- Stainless steel grease nipple
- Polypropylene closed cap with O-ring seal
- Washer for grease nipple in PE
- NBR bottom seal



FIXING METHOD



GRUB SCREW

### Stainless Steel

| Article-Number     | Series   | d      | I    | A    | B    | C   | D    | E    | F    | L    | O    |
|--------------------|----------|--------|------|------|------|-----|------|------|------|------|------|
| ○ 85820Q ● 85820BQ | UCPA 204 | 3/4    | 2.00 | 2.62 | 2.91 | M8  | 1.31 | 1.22 | 0.50 | 1.38 | 1.97 |
| ○ 85821Q ● 85821BQ | UCPA 205 | 1      | 2.00 | 2.91 | 3.01 | M10 | 1.44 | 1.34 | 0.56 | 1.56 | 2.11 |
| ○ 85822Q ● 85822BQ | UCPA 206 | 1-1/4  | 3.00 | 3.33 | 4.02 | M10 | 1.69 | 1.50 | 0.63 | 1.67 | 2.36 |
| ○ 85823Q ● 85823BQ | UCPA 207 | 1-7/16 | 3.25 | 3.74 | 4.31 | M10 | 1.87 | 1.69 | 0.69 | 1.87 | 2.62 |
| ○ 85824Q ● 85824BQ | UCPA 208 | 1-1/2  | 3.50 | 3.96 | 4.76 | M12 | 1.94 | 1.94 | 0.75 | 1.89 | 2.89 |

### SS ProRun

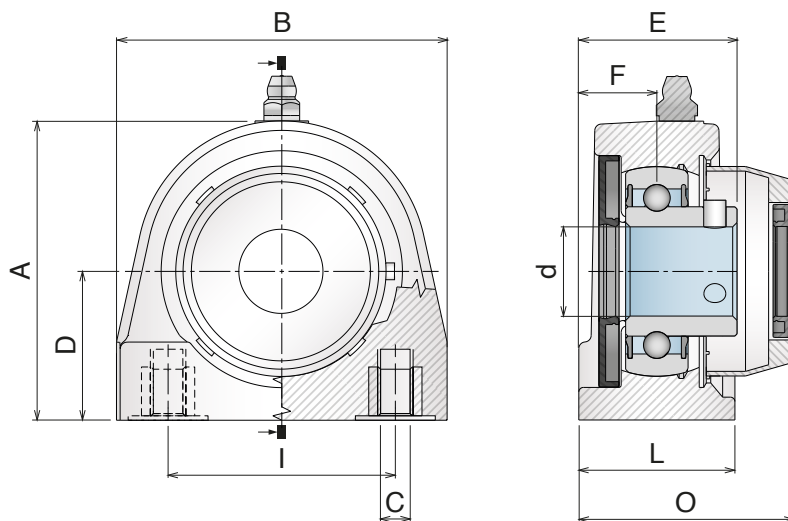
| Article-Number       | Series   | d      | I    | A    | B    | C   | D    | E    | F    | L    | O    |
|----------------------|----------|--------|------|------|------|-----|------|------|------|------|------|
| ○ 85820LQ ● 85820BLQ | UCPA 204 | 3/4    | 2.00 | 2.62 | 2.91 | M8  | 1.31 | 1.22 | 0.50 | 1.38 | 1.97 |
| ○ 85821LQ ● 85821BLQ | UCPA 205 | 1      | 2.00 | 2.91 | 3.01 | M10 | 1.44 | 1.34 | 0.56 | 1.56 | 2.11 |
| ○ 85822LQ ● 85822BLQ | UCPA 206 | 1-1/4  | 3.00 | 3.33 | 4.02 | M10 | 1.69 | 1.50 | 0.63 | 1.67 | 2.36 |
| ○ 85823LQ ● 85823BLQ | UCPA 207 | 1-7/16 | 3.25 | 3.74 | 4.31 | M10 | 1.87 | 1.69 | 0.69 | 1.87 | 2.62 |
| ○ 85824LQ ● 85824BLQ | UCPA 208 | 1-1/2  | 3.50 | 3.96 | 4.76 | M12 | 1.94 | 1.94 | 0.75 | 1.89 | 2.89 |

# UCPA Hygienic bearings *Grub screw*

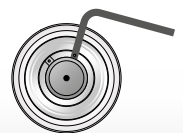
Watertight bearings - solid version

## Main features:

- Housing made of additive-enhanced PBT for improved thermal expansion resistance and working temperature
- Stainless steel ball bearing (pre-lubricated)
- Stainless steel mounting hole spacers
- Stainless steel grease nipple
- Polypropylene open cap with O-ring seal & NBR top seal
- Washer for grease nipple in PE
- NBR bottom seal



FIXING METHOD



GRUB SCREW

### Stainless Steel

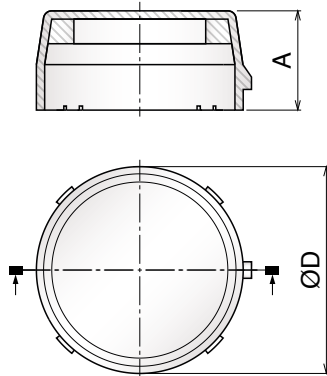
| Article-Number     | Series   | d      | I    | A    | B    | C   | D    | E    | F    | L    | O    |
|--------------------|----------|--------|------|------|------|-----|------|------|------|------|------|
| ○ 85830Q ● 85830BQ | UCPA 204 | 3/4    | 2.00 | 2.62 | 2.91 | M8  | 1.31 | 1.22 | 0.50 | 1.38 | 1.97 |
| ○ 85831Q ● 85831BQ | UCPA 205 | 1      | 2.00 | 2.91 | 3.01 | M10 | 1.44 | 1.34 | 0.56 | 1.56 | 2.11 |
| ○ 85832Q ● 85832BQ | UCPA 206 | 1-1/4  | 3.00 | 3.33 | 4.02 | M10 | 1.69 | 1.50 | 0.63 | 1.67 | 2.36 |
| ○ 85833Q ● 85833BQ | UCPA 207 | 1-7/16 | 3.25 | 3.74 | 4.31 | M10 | 1.87 | 1.69 | 0.69 | 1.87 | 2.62 |
| ○ 85834Q ● 85834BQ | UCPA 208 | 1-1/2  | 3.50 | 3.96 | 4.76 | M12 | 1.94 | 1.94 | 0.75 | 1.89 | 2.89 |

### SS ProRun

| Article-Number       | Series   | d      | I    | A    | B    | C   | D    | E    | F    | L    | O    |
|----------------------|----------|--------|------|------|------|-----|------|------|------|------|------|
| ○ 85830LQ ● 85830BLQ | UCPA 204 | 3/4    | 2.00 | 2.62 | 2.91 | M8  | 1.31 | 1.22 | 0.50 | 1.38 | 1.97 |
| ○ 85831LQ ● 85831BLQ | UCPA 205 | 1      | 2.00 | 2.91 | 3.01 | M10 | 1.44 | 1.34 | 0.56 | 1.56 | 2.11 |
| ○ 85832LQ ● 85832BLQ | UCPA 206 | 1-1/4  | 3.00 | 3.33 | 4.02 | M10 | 1.69 | 1.50 | 0.63 | 1.67 | 2.36 |
| ○ 85833LQ ● 85833BLQ | UCPA 207 | 1-7/16 | 3.25 | 3.74 | 4.31 | M10 | 1.87 | 1.69 | 0.69 | 1.87 | 2.62 |
| ○ 85834LQ ● 85834BLQ | UCPA 208 | 1-1/2  | 3.50 | 3.96 | 4.76 | M12 | 1.94 | 1.94 | 0.75 | 1.89 | 2.89 |

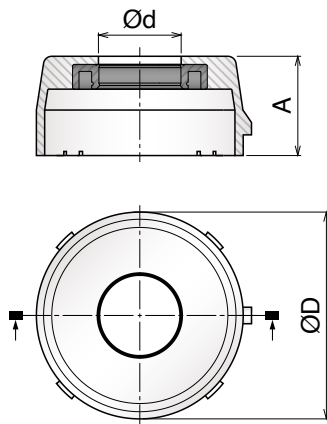
# Hygienic Accessories

## Closed clip-on safety cap



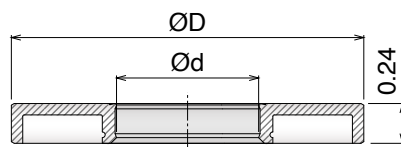
|   | Color / Article - Nr. | ØD   | A    | Series |
|---|-----------------------|------|------|--------|
| ○ | 89801                 | 1.97 | 0.91 | 204    |
| ● | 89801B                | 1.97 | 0.91 |        |
| ○ | 89802                 | 2.17 | 0.98 | 205    |
| ● | 89802B                | 2.17 | 0.98 |        |
| ○ | 89803                 | 2.52 | 1.18 | 206    |
| ● | 89803B                | 2.52 | 1.18 |        |
| ○ | 89804                 | 2.87 | 1.26 | 207    |
| ● | 89804B                | 2.87 | 1.26 |        |
| ○ | 89805                 | 3.31 | 1.50 | 208    |
| ● | 89805B                | 3.31 | 1.50 |        |

## Open clip-on safety cap



|   | Color / Article - Nr. | ØD   | Ød     | A    | Series |
|---|-----------------------|------|--------|------|--------|
| ○ | 89851Q                | 1.97 | 3/4    | 0.91 | 204    |
| ● | 89851BQ               | 1.97 | 3/4    | 0.91 |        |
| ○ | 89852Q                | 2.17 | 1      | 0.98 | 205    |
| ● | 89852BQ               | 2.17 | 1      | 0.98 |        |
| ○ | 89853Q                | 2.52 | 1-1/4  | 1.18 | 206    |
| ● | 89853BQ               | 2.52 | 1-1/4  | 1.18 |        |
| ○ | 89854Q                | 2.87 | 1-7/16 | 1.26 | 207    |
| ● | 89854BQ               | 2.87 | 1-7/16 | 1.26 |        |
| ○ | 89855Q                | 3.31 | 1-1/2  | 1.50 | 208    |
| ● | 89855BQ               | 3.31 | 1-1/2  | 1.50 |        |

## Hygienic sealing ring



|   | Color / Article - Nr. | ØD   | Ød     | Series |
|---|-----------------------|------|--------|--------|
| ● | 89701Q                | 2.05 | 3/4    | 204    |
| ● | 89701BQ               | 2.05 | 3/4    |        |
| ● | 89702Q                | 2.44 | 1      | 205    |
| ● | 89702BQ               | 2.44 | 1      |        |
| ● | 89703Q                | 2.83 | 1-1/4  | 206    |
| ● | 89703BQ               | 2.83 | 1-1/4  |        |
| ● | 89704Q                | 3.23 | 1-7/16 | 207    |
| ● | 89704BQ               | 3.23 | 1-7/16 |        |
| ● | 89705Q                | 3.46 | 1-1/2  | 208    |
| ● | 89705BQ               | 3.46 | 1-1/2  |        |



**Movex S.p.A.**

**Headquarters**

Viale Industria, 22  
24060 Castelli Calepio (BG)

**Logistics Center**

Via della Repubblica, 21/E  
24060 Castelli Calepio (BG)

Phone +39 035 8359711

[info@movexii.com](mailto:info@movexii.com)

[www.movexii.com](http://www.movexii.com)

Follow us    

#MovexWorld

**Movex worldwide**

**Movex GmbH**

P +49-6204-9375-0

**Movex Brasil Ltda**

P +55-15-3141-2550

**Movex France**

P +33-06-21-02-79-15

**Movex AG India**

P +91-120-4159660-62

**Movex UK Ltd.**

P +44-77-20678442

**Movex Nederland**

P +31-630-994850

**Movex USA Inc.**

P +1-877-401-5377

**Movex SA de CV**

P +52-1-3318458187

**Movex CIS Countries**

P +39-348-7769760



**movexii.com**

