

UCPA
BEARING SUPPORTS
Hygienic series

M  METRIC SIZE



Movex[®]
www.movexii.com

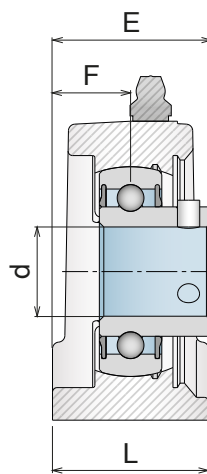
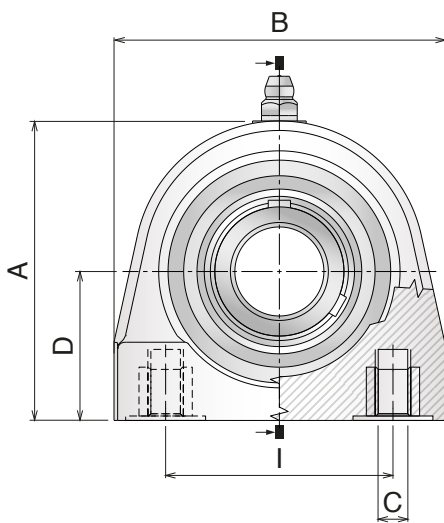


UCPA Hygienic bearings *Grub screw*

Standard bearings - solid version

Main features:

- Housing made of additive-enhanced PBT for improved thermal expansion resistance and working temperature
- Stainless steel ball bearing (pre-lubricated)
- Stainless steel mounting hole spacers
- Stainless steel grease nipple
- Washer for grease nipple in PE



FIXING METHOD



GRUB SCREW

Stainless Steel												Caps (Accessories)			
Article-Number		Series	d	I	A	B	C	D	E	F	L	Close	Open		
○	85800	●	85800B	UCPA 204	20	50,8	66,5	74	M8	33,3	31	12,7	35	89801	89851
○	85801	●	85801B	UCPA 205	25	50,8	74	76,5	M10	36,5	34,1	14,3	39,5	89802	89852
○	85802	●	85802B	UCPA 206	30	76,2	84,5	102	M10	42,9	38,1	15,9	42,5	89803	89853
○	85803	●	85803B	UCPA 207	35	82,6	95	109,5	M10	47,6	42,9	17,5	47,5	89804	89854
○	85804	●	85804B	UCPA 208	40	88,9	100,5	121	M12	49,2	49,2	19	48	89805	89855

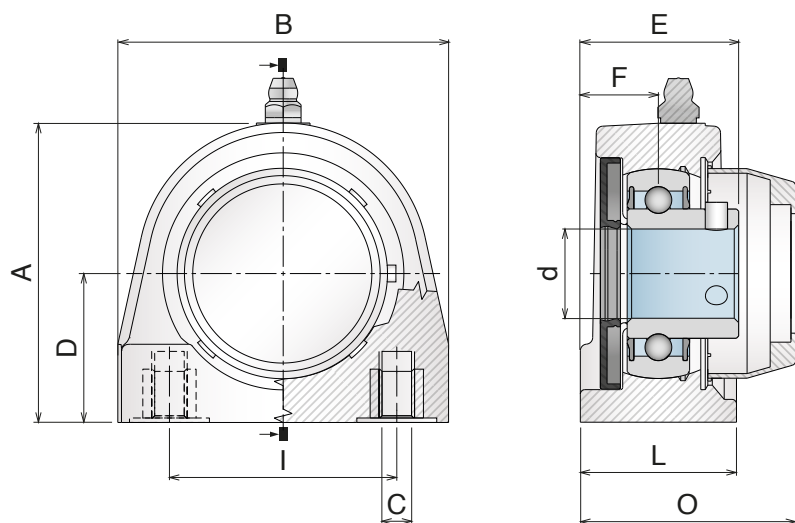
For blue caps, add "B" to the code (e.g.: 89801B)

UCPA Hygienic bearings *Grub screw*

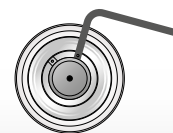
Watertight bearings - solid version

Main features:

- Housing made of additive-enhanced PBT for improved thermal expansion resistance and working temperature
- Stainless steel ball bearing (pre-lubricated)
- Stainless steel mounting hole spacers
- Stainless steel grease nipple
- Polypropylene closed cap with O-ring seal
- Washer for grease nipple in PE
- NBR bottom seal



FIXING METHOD



GRUB SCREW

Stainless Steel

Article-Number	Series	d	I	A	B	C	D	E	F	L	O
○ 85820 ● 85820B	UCPA 204	20	50,8	66,5	74	M8	33,3	31	12,7	35	50
○ 85821 ● 85821B	UCPA 205	25	50,8	74	76,5	M10	36,5	34,1	14,3	39,5	53,5
○ 85822 ● 85822B	UCPA 206	30	76,2	84,5	102	M10	42,9	38,1	15,9	42,5	60
○ 85823 ● 85823B	UCPA 207	35	82,6	95	109,5	M10	47,6	42,9	17,5	47,5	66,5
○ 85824 ● 85824B	UCPA 208	40	88,9	100,5	121	M12	49,2	49,2	19	48	73,5

SS ProRun

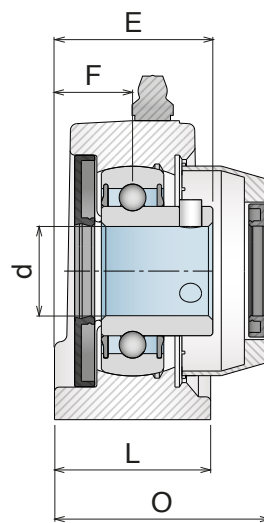
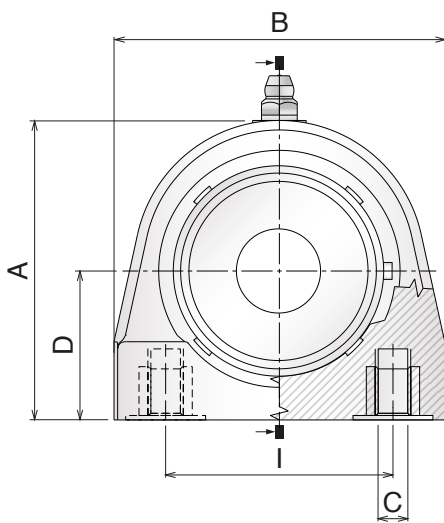
Article-Number	Series	d	I	A	B	C	D	E	F	L	O
○ 85820L ● 85820BL	UCPA 204	20	50,8	66,5	74	M8	33,3	31	12,7	35	50
○ 85821L ● 85821BL	UCPA 205	25	50,8	74	76,5	M10	36,5	34,1	14,3	39,5	53,5
○ 85822L ● 85822BL	UCPA 206	30	76,2	84,5	102	M10	42,9	38,1	15,9	42,5	60
○ 85823L ● 85823BL	UCPA 207	35	82,6	95	109,5	M10	47,6	42,9	17,5	47,5	66,5
○ 85824L ● 85824BL	UCPA 208	40	88,9	100,5	121	M12	49,2	49,2	19	48	73,5

UCPA Hygienic bearings *Grub screw*

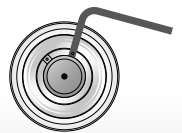
Watertight bearings - solid version

Main features:

- Housing made of additive-enhanced PBT for improved thermal expansion resistance and working temperature
- Stainless steel ball bearing (pre-lubricated)
- Stainless steel mounting hole spacers
- Stainless steel grease nipple
- Polypropylene open cap with O-ring seal & NBR top seal
- Washer for grease nipple in PE
- NBR bottom seal



FIXING METHOD



GRUB SCREW

Stainless Steel

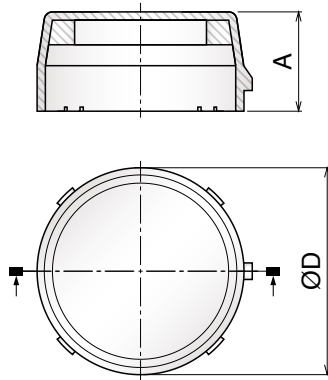
Article-Number	Series	d	I	A	B	C	D	E	F	L	O
○ 85830 ● 85830B	UCPA 204	20	50,8	66,5	74	M8	33,3	31	12,7	35	50
○ 85831 ● 85831B	UCPA 205	25	50,8	74	76,5	M10	36,5	34,1	14,3	39,5	53,5
○ 85832 ● 85832B	UCPA 206	30	76,2	84,5	102	M10	42,9	38,1	15,9	42,5	60
○ 85833 ● 85833B	UCPA 207	35	82,6	95	109,5	M10	47,6	42,9	17,5	47,5	66,5
○ 85834 ● 85834B	UCPA 208	40	88,9	100,5	121	M12	49,2	49,2	19	48	73,5

SS ProRun

Article-Number	Series	d	I	A	B	C	D	E	F	L	O
○ 85830L ● 85830BL	UCPA 204	20	50,8	66,5	74	M8	33,3	31	12,7	35	50
○ 85831L ● 85831BL	UCPA 205	25	50,8	74	76,5	M10	36,5	34,1	14,3	39,5	53,5
○ 85832L ● 85832BL	UCPA 206	30	76,2	84,5	102	M10	42,9	38,1	15,9	42,5	60
○ 85833L ● 85833BL	UCPA 207	35	82,6	95	109,5	M10	47,6	42,9	17,5	47,5	66,5
○ 85834L ● 85834BL	UCPA 208	40	88,9	100,5	121	M12	49,2	49,2	19	48	73,5

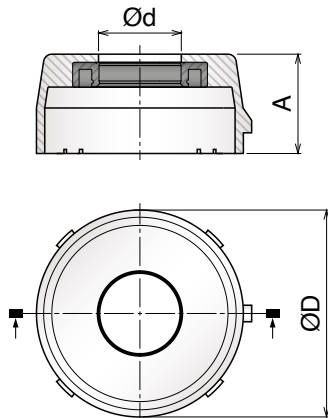
Hygienic Accessories

Closed clip-on safety cap



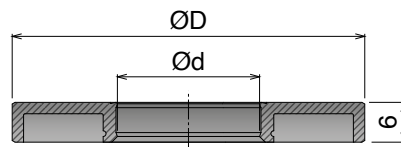
	Color /Art-Nr.	ØD	A	Series
○	89801	50	23	204
●	89801B	50	23	
○	89802	55	25	205
●	89802B	55	25	
○	89803	64	30	206
●	89803B	64	30	
○	89804	73	32	207
●	89804B	73	32	
○	89805	84	38	208
●	89805B	84	38	

Open clip-on safety cap



	Color /Art-Nr.	ØD	Ød	A	Series
○	89851	50	20	23	204
●	89851B	50	20	23	
○	89852	55	25	25	205
●	89852B	55	25	25	
○	89853	64	30	30	206
●	89853B	64	30	30	
○	89854	73	35	32	207
●	89854B	73	35	32	
○	89855	84	40	38	208
●	89855B	84	40	38	

Hygienic sealing ring



	Color /Art-Nr.	ØD	Ød	Series
●	89701	52	20	204
●	89701B	52	20	
●	89702	62	25	205
●	89702B	62	25	
●	89703	72	30	206
●	89703B	72	30	
●	89704	82	35	207
●	89704B	82	35	
●	89705	88	40	208
●	89705B	88	40	



Movex S.p.A.

Headquarters

Viale Industria, 22
24060 Castelli Calepio (BG)

Logistics Center

Via della Repubblica, 21/E
24060 Castelli Calepio (BG)

Phone +39 035 8359711

info@movexii.com

www.movexii.com

Follow us    

#MovexWorld

Movex worldwide

Movex GmbH

P +49-6204-9375-0

Movex Brasil Ltda

P +55-15-3141-2550

Movex France

P +39-335-8085980

Movex AG India

P +91-120-4159660-62

Movex UK Ltd.

P +44-77-20678442

Movex Nederland

P +31-630-994850

Movex USA Inc.

P +1-877-401-5377

Movex SA de CV

P +52-1-3318458187

Movex CIS Countries

P +39-348-7769760



movexii.com

