



ZER<sup>PRO</sup>ATP<sup>®</sup>

ACTIVE TRANSFER PLATE

***Movex***<sup>®</sup>

[www.movexii.com](http://www.movexii.com)

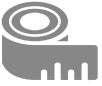
# ZEROPRO ATP®

ACTIVE TRANSFER PLATE



## Unique design

It solves traditional transfer plate issues.



## Short transfer connection

It works perfectly with small products.



## Saving (Energy, resources, time)

Fewer resources and time employed.



## User-friendliness

Easy installation and interchangeability.



## Maintenance free

Zero ATP Pro® doesn't require maintenance.

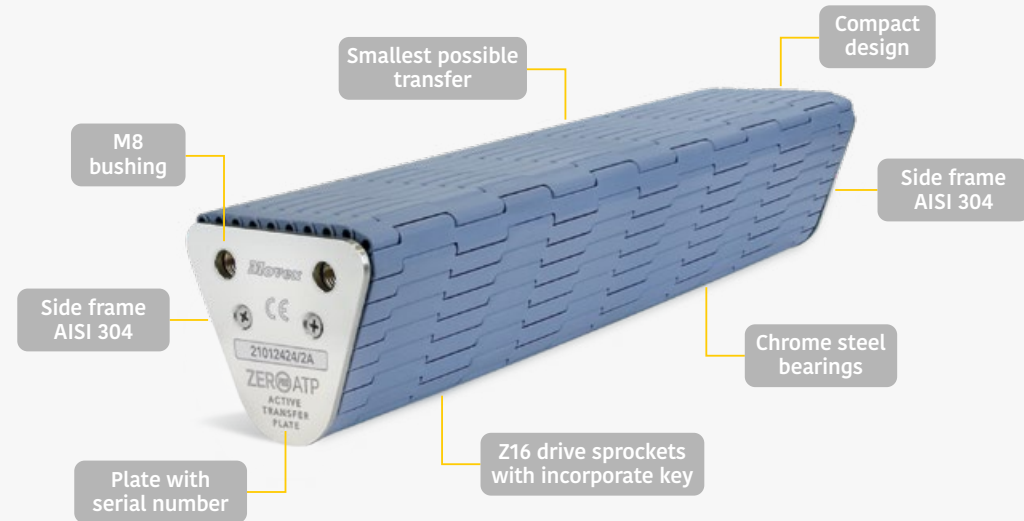


## Safer design

Minimized the possibility of injuries.

# Description and Features

Movex micropitch 7870 Flat top - Pitch 8 mm - Thickness 6 mm



## General products features

Belt series	7870 FT
Belt width	6inch ÷ 24inch
Transfer length	80 or 150 mm
Transmission	Mini motor or Keyed shaft
Material	LFA, MX or LFB
Max working load	3000 N/m

## Plug and play solution

- Self-tensioning
- Compact design
- Easy installation
- Maintenance free
- Low voltage
- Easy integration

## Simultaneous transport of:

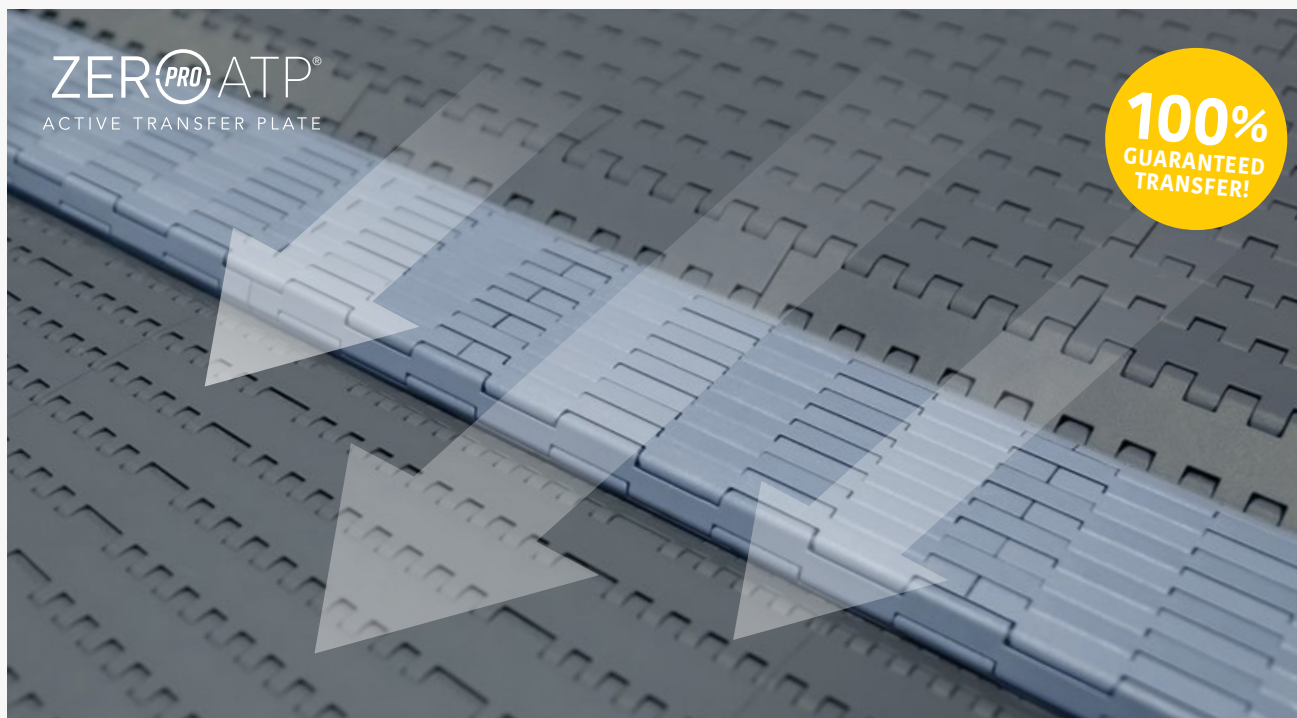


# Compact, great!

The new **Movex® Zero ATP Pro®**, equipped with micro-pitch 7870 modular belt series, is the smallest active transfer plate available on the market.

With its revolutionary compact shape, **Zero ATP Pro®** is the right choice to connect different conveyors, guaranteeing a smooth product transfer, that can be easily integrated into existing lines by replacing traditional transfers, with limited structural work.

**Zero ATP Pro®** can be provided with mini-motor or key shaft for an external transmission and is a maintenance and tensioning free system.



Easy installation | Maintenance free | Compact design | Self-tensioning | Easy integration

## Transmission available

### Mini Motor VERSION



### Keyed shaft VERSION

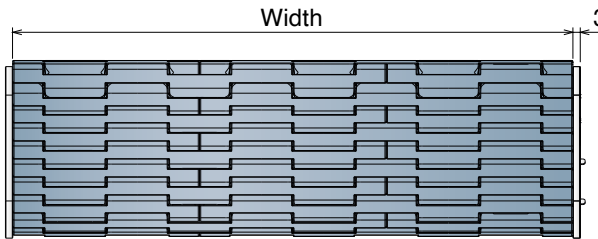
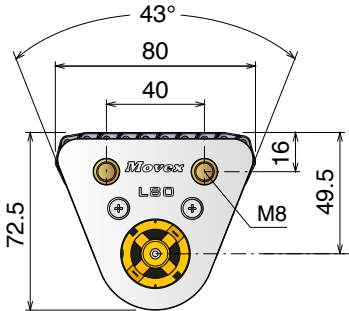


Replace your existing system with **Zero ATP Pro®** and increase your line performance!

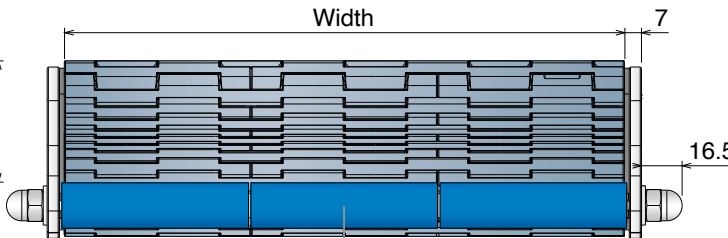
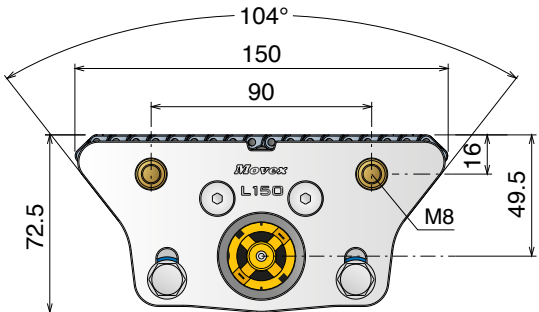
# Product details

VERSION A - WITH MINI MOTOR

## Length 80 mm



## Length 150 mm



Soft roller - SEBS rubber

\*Material

Series	*Material	Width	Version
5336	*	0006	A
5336	*	0009	A
5336	*	0012	A
5336	*	0015	A
5336	*	0018	A
5336	*	0021	A
5336	*	0024	A

Series	*Material	Width	Version
5338	*	0006	A
5338	*	0009	A
5338	*	0012	A
5338	*	0015	A
5338	*	0018	A
5338	*	0021	A
5338	*	0024	A

### LFA - Code 01 Low friction Acetal

Max w. load: 3000 N (674" lbs)  
 Weight: 5,8 Kg/m<sup>2</sup> (1.59 lbs/ft<sup>2</sup>)  
 Temp. range dry: -40÷80 °C (-40÷176°F)  
 Temp. range wet: -40÷65 °C (-40÷149°F)  
 Pin material: PBT white

### MX - Code 03 Performance PBT

Max w. load: 2700 N (606" lbs)  
 Weight: 5,5 Kg/m<sup>2</sup> (1.53 lbs/ft<sup>2</sup>)  
 Temp. range dry: -40÷120 °C (-40÷176°F)  
 Temp. range wet: -40÷60 °C (-40÷149°F)  
 Pin material: POM grey

### LFB - Code 23 Low friction Acetal

Max w. load: 3000 N (674" lbs)  
 Weight: 5,8 Kg/m<sup>2</sup> (1.59 lbs/ft<sup>2</sup>)  
 Temp. range dry: -40÷80 °C (-40÷176°F)  
 Temp. range wet: -40÷65 °C (-40÷149°F)  
 Pin material: PBT white



### Mini motor version

Includes a mini-motor assembled at the inside of the module  
 Supply 6-15 V dc | Max Torque 6539 g.cm.  
 Power Rating 7.85W

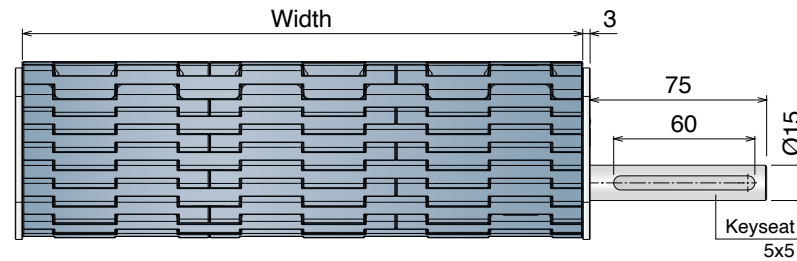
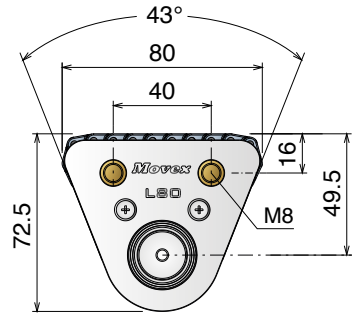
Optional cover for motor connection  
**Article-Nr. 300601**

For a different configuration, contact your sales representative.

# Product details

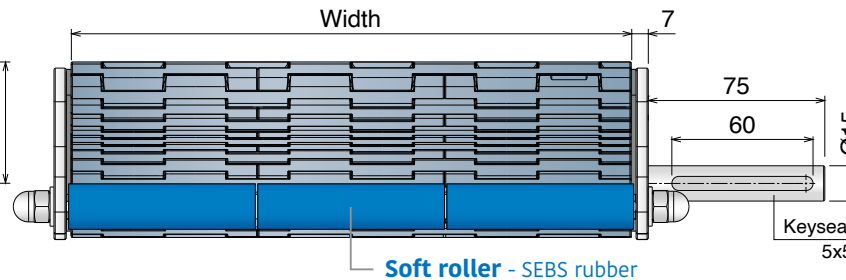
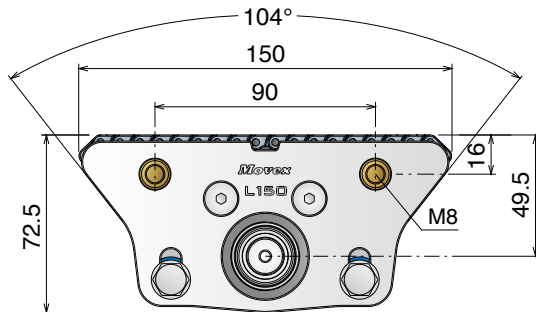
VERSION B - WITH KEYED SHAFT

Length 80 mm



Series	*Material	Width	Version
5336	*	0006	B
5336	*	0009	B
5336	*	0012	B
5336	*	0015	B
5336	*	0018	B
5336	*	0021	B
5336	*	0024	B

Length 150 mm



Series	*Material	Width	Version
5338	*	0006	B
5338	*	0009	B
5338	*	0012	B
5338	*	0015	B
5338	*	0018	B
5338	*	0021	B
5338	*	0024	B

\*Material

## LFA - Code 01

Low friction Acetal

Max w. load: 3000 N (674" lbs)  
 Weight: 5,8 Kg/m<sup>2</sup> (1.59 lbs/ft<sup>2</sup>)  
 Temp. range dry: -40÷80 °C (-40÷176°F)  
 Temp. range wet: -40÷65 °C (-40÷149°F)  
 Pin material: PBT white

## MX - Code 03

Performance PBT

Max w. load: 2700 N (606" lbs)  
 Weight: 5,5 Kg/m<sup>2</sup> (1.53 lbs/ft<sup>2</sup>)  
 Temp. range dry: -40÷120 °C (-40÷176°F)  
 Temp. range wet: -40÷60 °C (-40÷149°F)  
 Pin material: POM grey

## LFB - Code 23

Low friction Acetal

Max w. load: 3000 N (674" lbs)  
 Weight: 5,8 Kg/m<sup>2</sup> (1.59 lbs/ft<sup>2</sup>)  
 Temp. range dry: -40÷80 °C (-40÷176°F)  
 Temp. range wet: -40÷65 °C (-40÷149°F)  
 Pin material: PBT white



### Keyed shaft version

Includes a 15 mm shaft with standard key seat 5x5 for roller chain transmission.

For a different configuration, contact your sales representative.

# **Movex<sup>®</sup>**

## **Movex worldwide**

### **Movex GmbH**

P +49-6204-9375-0

### **Movex Brasil Ltda**

P +55-15-3141-2550

### **Movex France**

P +33-06-21-02-79-15

### **Movex AG India**

P +91-120-4159660-62

### **Movex UK Ltd.**

P +44-77-20678442

### **Movex Nederland**

P +31-630-994850

### **Movex USA Inc.**

P +1-877-401-5377

### **Movex SA de CV**

P +52-1-3318458187

### **Movex CIS Countries**

P +39-348-7769760

## **Movex S.p.A.**

### **Headquarters**

Viale Industria, 22 - 24060  
Castelli Calepio (BG) Italy

### **Logistics center**

Via Repubblica, 21/E - 24060  
Castelli Calepio (BG) Italy

P +39 035 8359711 | F +39 035 4420873 | [info@movexii.com](mailto:info@movexii.com) | [www.movexii.com](http://www.movexii.com)

Follow us   

